

## **Installation & maintenance**

*ACO grease trap AGT-40*



- |            |                                    |            |                                  |
|------------|------------------------------------|------------|----------------------------------|
| <b>ENG</b> | <b>Installation Manual</b>         | <b>EST</b> | <b>Paigaldusjuhend</b>           |
| <b>GER</b> | <b>Installationsanleitung</b>      | <b>LAV</b> | <b>Uzstādīšanas instrukcija</b>  |
| <b>FRA</b> | <b>Instructions d´installation</b> | <b>LIT</b> | <b>Montavimo instrukcija</b>     |
| <b>ESP</b> | <b>Manual De Instalación</b>       | <b>POL</b> | <b>Instrukcja montażu</b>        |
| <b>POR</b> | <b>Manual de Instalação</b>        | <b>BUL</b> | <b>Инструкции за инсталация</b>  |
| <b>ITA</b> | <b>Manuale d´installazione</b>     | <b>HUN</b> | <b>Beépítési útmutató</b>        |
| <b>NLD</b> | <b>Installatiehandleiding</b>      | <b>RUM</b> | <b>Instructiuni de instalare</b> |
| <b>CZE</b> | <b>Instalační manuál</b>           | <b>HRV</b> | <b>Upute za ugradnju</b>         |
| <b>RUS</b> | <b>Инструкция По Установке</b>     | <b>SLV</b> | <b>Navodila za vgradnjo</b>      |
| <b>SWE</b> | <b>Installationsanvisning</b>      | <b>SRP</b> | <b>Preporuka za ugradnju</b>     |
| <b>NOR</b> | <b>Installasjons Manual</b>        | <b>TUR</b> | <b>Montaj kılavuzu</b>           |
| <b>FIN</b> | <b>Asennusohje</b>                 |            |                                  |
| <b>DAN</b> | <b>Installationsvejledning</b>     |            |                                  |

A

ACO grease trap AGT-40 - **Stationary**

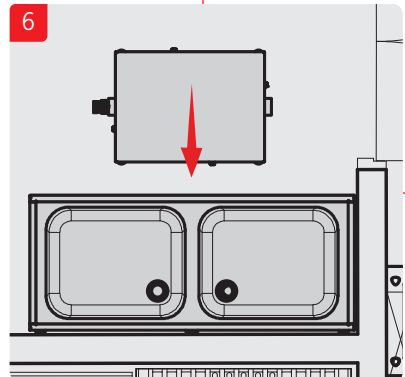
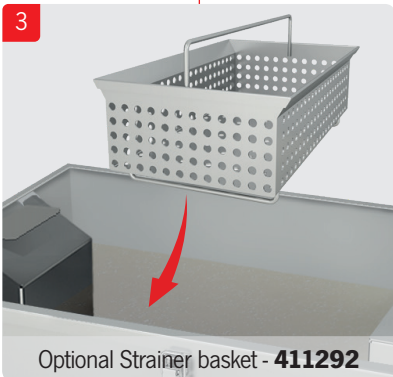
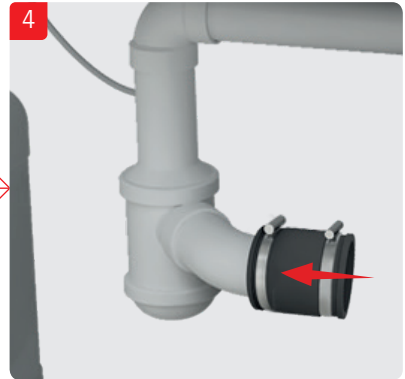
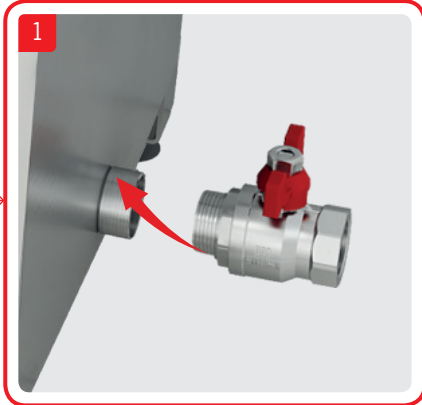
B

ACO grease trap AGT-40 - **Mobile**





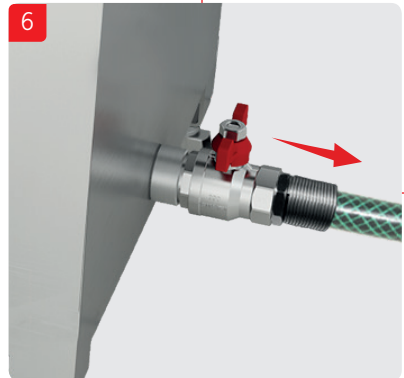
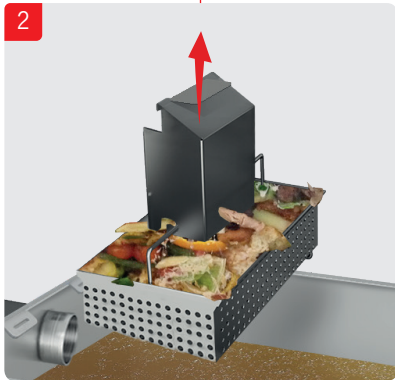
For efficient operation of the grease trap, it is recommended to first separate food waste from plate scrapings, utensil cleaning, etc. and to avoid bulk discharge of waste cooking oils directly into the galley drainage system. This will help to prevent clogging of the trap ensure easy maintenance and trouble-free operation.

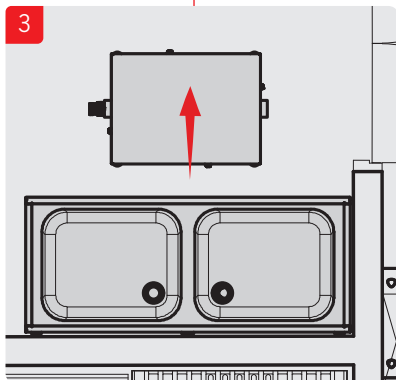
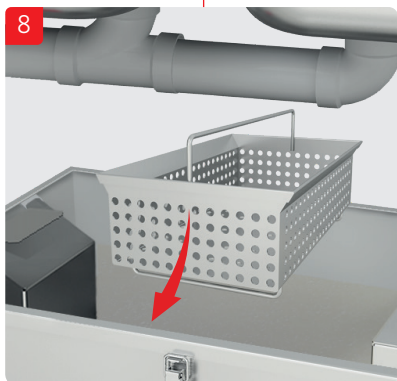
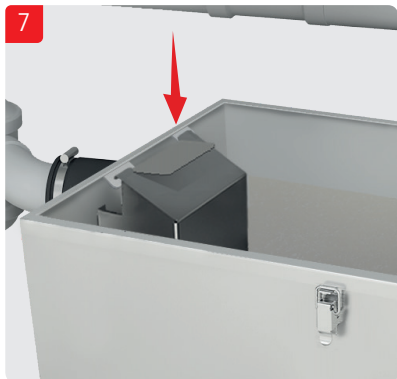






Carry out this procedure once every 2 weeks



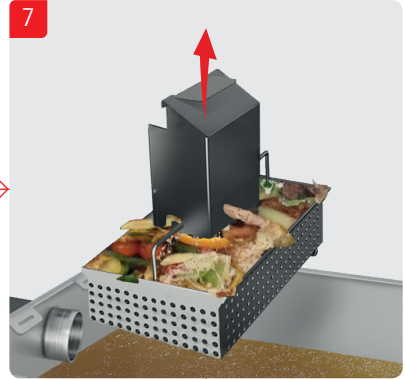
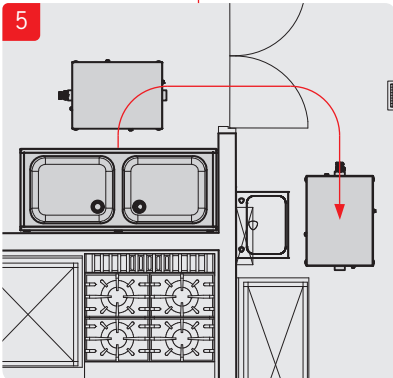
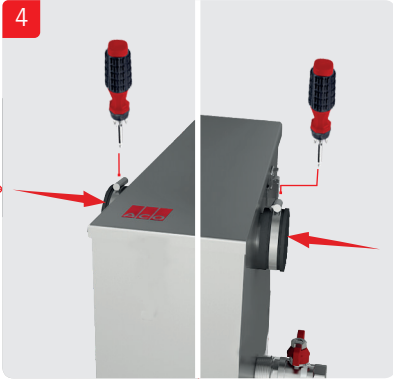


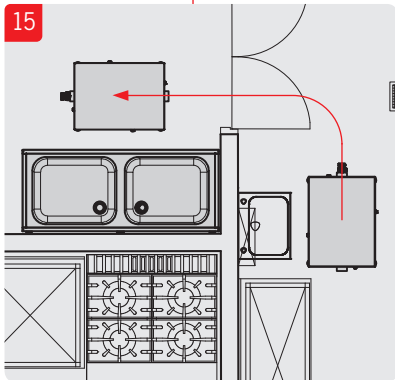
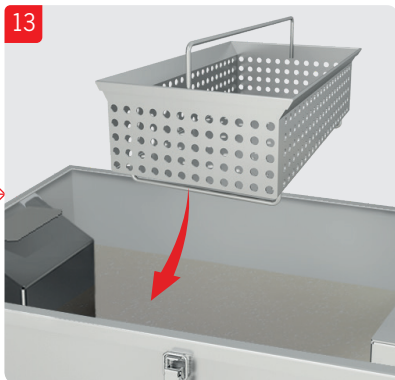
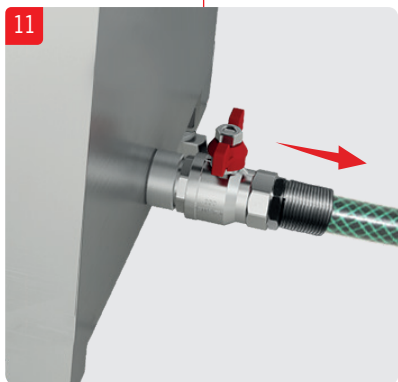


For efficient operation of the grease trap, it is recommended to first separate food waste from plate scrapings, utensil cleaning, etc. and to avoid bulk discharge of waste cooking oils directly into the galley drainage system. This will help to prevent clogging of the trap ensure easy maintenance and trouble-free operation.



Carry out this procedure once every 2 weeks

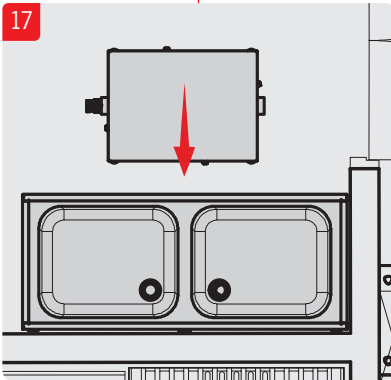
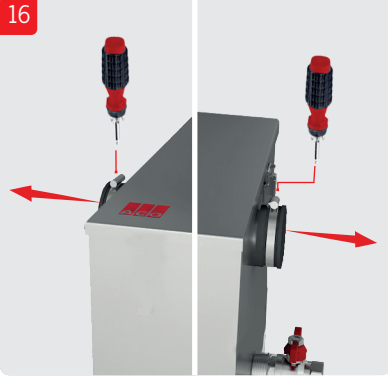




For efficient operation of the grease trap, it is recommended to first separate food waste from plate scrapings, utensil cleaning, etc. and to avoid bulk discharge of waste cooking oils directly into the galley drainage system. This will help to prevent clogging of the trap ensure easy maintenance and trouble-free operation.



Carry out this procedure once every 2 weeks



**ACO. creating the future of drainage**

**[www.aco-watertreatment.com](http://www.aco-watertreatment.com)**

