



Invisible Ingredients Of Healthy Kitchen

ACO commercial drainage



Foul air traps

Foul air traps are available for both vertical and horizontal solutions allowing high flow rates.



Top sections and channels

Available as a robust stainless steel solution which offers high load resistance.



Gully bodies

The ACO gully body is manufactured from stainless steel to ensure optimum durability.



ACO floor drainage

ACO commercial drainage design can be adapted to meet project-specific requirements and to provide the best balance between costs and performance.

Content

| | |
|--|------------|
| ACO. we care for water | 04 |
| The worldwide ACO group | 04 |
| ACO Building Drainage | 04 |
| | |
| Healthy business starts with healthy waste water management | 06 |
| Floor drainage | 06 |
| Grease management | 07 |
| | |
| System overview and benefits | 08 |
| | |
| The ACO floor drainage family of products | 09 |
| Detailed specification | 10 |
| | |
| Selecting the right solution | 11 |
| | |
| ACO Gully | 12 |
| Introduction | 14 |
| ACO hygienic gully 142 | 15 |
| ACO hygienic gully 157 | 31 |
| ACO hygienic gully 218 | 53 |
| ACO gully EG150 | 73 |
| Gratings | 75 |
| Accessories | 93 |
| Flow rates and construction heights | 97 |
| | |
| ACO Channel | 100 |
| Introduction | 102 |
| ACO box channels | 104 |
| Gratings | 112 |
| Accessories | 122 |
| Flow rates and construction heights | 123 |
| | |
| ACO Pipe | 127 |

ACO.

we care for water

The worldwide ACO Group. A strong family you can build on

The ACO Group is a world market leader in drainage technology. Climate change sets us a challenge to react effectively with innovative solutions to new environmental conditions. With its integrated approach, ACO stands for professional drainage, efficient cleaning, and the controlled discharge or reuse of water. Products include drainage channels and drains, oil and grease separators, backflow stop systems, pumps and pressure-water-tight cellar windows and light shafts.

The family-owned company headquartered in Rendsburg/Büdelndorf, Germany, was founded in 1946 on the site of the Carlshütte foundry – Schleswig-Holstein's first industrial company. It still has very strong roots in the region. The innovation strength of the ACO Group is built on intense research and development, and its technical expertise in processing polymer concrete, plastic, cast iron, stainless steel and reinforced concrete.

ACO Building Drainage. Smart solutions for the future

ACO Building Drainage are experts in the design and planning of grease management and drainage solutions within buildings. We use our considerable expertise and experience to develop high performance, cost effective solutions which meet both technical and operational requirements.

Regardless of whether you need an industrial or commercial solution, we provide project-specific advice in system design, the need for specialist products and your system's connection to surrounding surfaces such as flooring.

www.buildingdrainage.aco



Headquarters of the ACO Group
in Rendsburg/Büdelndorf

5.200

employees in more than 47 countries (Europe, North and South America, Asia, Australia, Africa)

1 Bil.

Euro Sales in 2021

37

production sites in 18 countries



ACO Academy
for practical training

Holder
Iver and Hans-Julius Ahlmann



Healthy Business starts with healthy wastewater management

We believe that creating a healthy commercial kitchen starts with the specification of an effective wastewater management system which aids cleaning, optimises productivity and helps create a safe kitchen environment.

A well designed kitchen which has an effective wastewater system will benefit its customers, owners, employees and the environment in general.

ACO offers a complete range of solutions which can meet the needs of any foodservice business as well as other commercial kitchen facilities.

Floor drainage

ACO's drainage range has been developed to provide cost effective solutions which can be tailored to suit individual project-specific requirements. System components are selected to suit the composition of the flooring being used, maintenance requirements and budget.

Commercial kitchens require drainage systems that optimise cleanability, durability and flow rate in order to minimise operational costs, improve health and safety, and help ensure food safety.





Grease management

The wastewater generated by commercial kitchens is rich in fats, oils and grease (FOG) and if this is discharged down the drain, it can have a negative effect on your business. The industry standard is to protect the sewer network but ACO goes further and adopts a two-phase approach which also protects the building itself. ACO's high performance grease separators and grease removal units are specifically designed to help prevent the build-up of FOG in kitchen drainage and ultimately prevent fatbergs from forming in the main sewer network.



System overview and benefits

ACO provides solutions which optimise food safety, employee's health and safety and water protection. Every ACO product safely controls the water to ensure that it can be hygienically, economically and ecologically managed in a viable way.



Food safety

- ACO hygienic drainage fulfills hygienic requirements to prevent harmful bacteria contamination. We apply relevant hygienic design principles reserved for food contact surfaces as recommended by EHEDG.
- Our product design ensures minimal build-up of food particles and debris as well as a safe connection with the surrounding floor to minimise any opportunity for bacteria to grow throughout the drainage system.
- Sleek slope function and hygienically designed products ensure our system is fully drainable, eliminating the stagnant odour of waste water.

Cost control

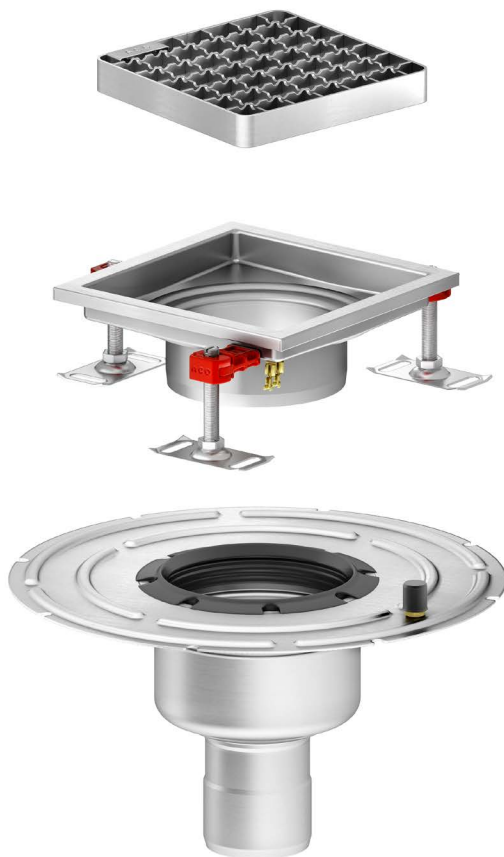
- ACO drainage systems can be easily maintained, reducing associated cleaning costs, thanks to their functional design and cleaning recommendations which have been developed in partnership with premium cleaning agent suppliers.
- ACO's advanced manufacturing technologies ensure durability and our special surface treatment guarantees corrosion resistance. Our systems perform effectively at all times and keep business disruption to a minimum.
- We provide expertise in drainage system planning, correct installation and creating a safe connection with the surrounding floor to avoid unnecessary costs.

Health & Safety

- For additional safety in high risk areas that require heavy water usage, a slip resistant grating is available.
- Each component of the drainage system is easy to remove and clean, and there are no sharp edges for optimum employee safety.
- ACO drainage products have a fire resistant solution certified according to EN 136.

The ACO floor drainage family of products

Detailed specification



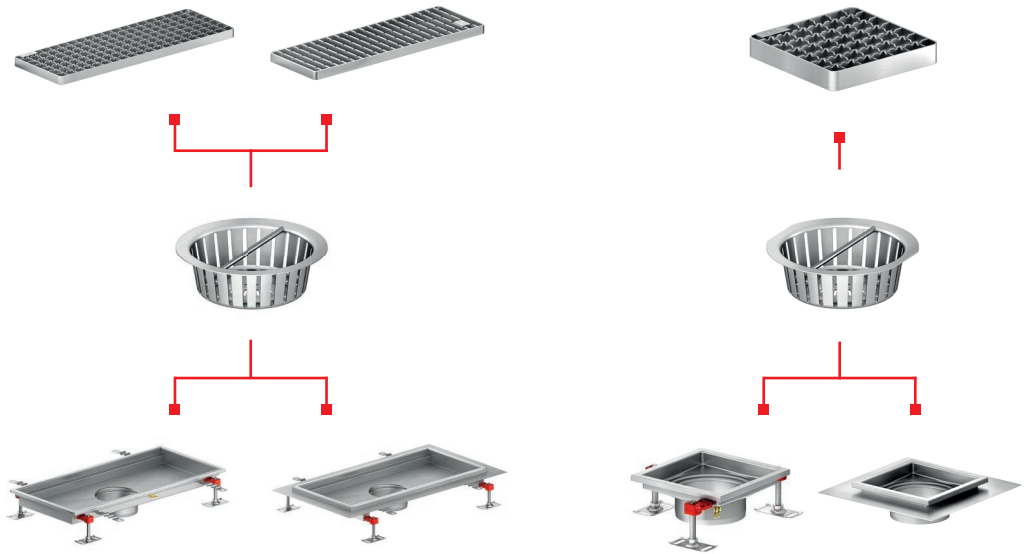
The ACO floor drainage product range is designed to be cost effective without compromising cleanability, durability or flow rate performance.

ACO drainage is available in different configurations to suit different flow rates and types of flooring. In applications, such as commercial kitchens, where there are high demands on cleaning efficiency and where high-temperature water or water which contains fats, oils or grease, we would recommend the use of a fully stainless steel solution with an easy-to-remove foul air trap.

The ACO commercial drainage range can be specified to meet the different load requirements of areas which are subject to trolley or pedestrian traffic. The ACO Building Drainage product portfolio comes in a range of load classes. We provide easy-to-clean stainless steel slip-resistant professional solutions.

ACO mesh grating is made from stainless steel and satisfies load class L15

The stainless steel gully tops and channels are durable and easy to clean



Gully bodies are made from durable austenitic stainless steel

Selecting the right solution

The specification of point floor drainage in commercial buildings is driven by the application in which it will be installed. These requirements can be met with different product ranges depending on factors including the size of project, public access and frequency of use.



ACO products are compatible with one another, enabling our customers to combine products from different ranges to develop tailored drainage systems.

The ACO commercial gully range offers a wide range of gully designs which can be used to meet project-specific requirements:

- floor composition
- maintenance requirements
- project budget



1 ACO Gully



ACO Gully

| | | |
|--|--|----|
| Introduction | System overview | 14 |
| | Fixed height, vertical outlet | 15 |
| | Fixed height, horizontal outlet | 18 |
| ACO hygienic gully 142 | Telescopic, vertical outlet | 21 |
| | Telescopic, horizontal outlet | 24 |
| | Gully top, telescopic | 27 |
| | Raising piece, telescopic | 30 |
| | Fixed height, vertical outlet | 31 |
| ACO hygienic gully 157 | Fixed height, horizontal outlet | 36 |
| | Telescopic, vertical outlet | 41 |
| | Telescopic, horizontal outlet | 44 |
| | Gully top, telescopic | 47 |
| | Raising piece, telescopic | 51 |
| ACO hygienic gully 218 | Fixed height, vertical outlet | 53 |
| | Fixed height, horizontal outlet | 59 |
| | Telescopic, vertical outlet | 64 |
| | Telescopic, horizontal outlet | 67 |
| | Gully top, telescopic | 69 |
| ACO gully EG150 | Raising piece, telescopic | 72 |
| | Telescopic, vertical outlet | 73 |
| | Telescopic, horizontal outlet | 74 |
| | Gratings for gully top 200 x 200 | 75 |
| | Gratings for gully top ø 230 mm | 79 |
| Gratings | Gratings for gully top 250 x 250 | 81 |
| | Gratings for gully top 300 x 300 | 85 |
| | Gratings for gully top ø 300 mm | 89 |
| | Gratings for vinyl top ø170 | 91 |
| | Gratings for vinyl top ø222 | 92 |
| | Accessories for ACO hygienic gully 142 | 93 |
| | Accessories for ACO hygienic gully 157 | 94 |
| Accessories | Accessories for ACO hygienic gully 218 | 95 |
| | Accessories for ACO gully EG150 | 96 |
| | ACO tundish portable | 96 |
| Flow rates and construction heights | Flow rates and construction heights for ACO hygienic gully | 97 |



Discover more in a 3D environment:
buildingdrainage.aco/products

ACO gully
 online information



The ACO hygienic gully system overview

ACO hygienic gully 142

ACO gully range is available in a number of versions featuring different flow rates, grating designs, sizes and spigot outlet diameters to suit various applications.

ACO hygienic gully 157

The floor construction and depth together with the use of any waterproofing membrane play an important role in the selection of the appropriate type of gully.

The ACO gully range is available with vertical or horizontal spigot outlets.

ACO hygienic gully 218

Fixed height gullies are convenient and free-standing units which are suitable for cementitious, resin or tiled floors.

Telescopic gullies can be installed either with a gully top or ACO channel in most flooring constructions, including floors with waterproofing membranes.

Fixed height solution



Telescopic solution



- 1** Gratings
- 2** Silt basket
- 3** Foul air trap
- 4** Foul air trap support
- 5** ACO gully body
- 6** Gully top
- 7** Friction ring
- 8** ACO EasyFix levelling feet

ACO hygienic gully 142 fixed height, vertical outlet

Product information

Fixed height gully can be specified as a point drainage in areas where waterproofing is independent of the gully body.

Those gullies can be combined with different grates depending on requested load class.

Product benefits

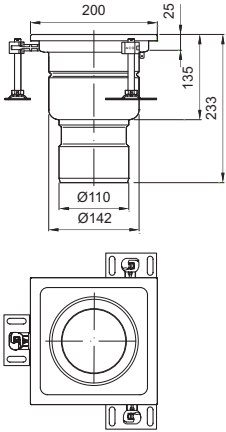
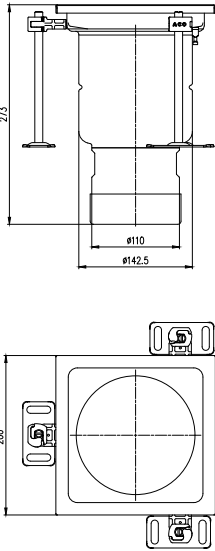
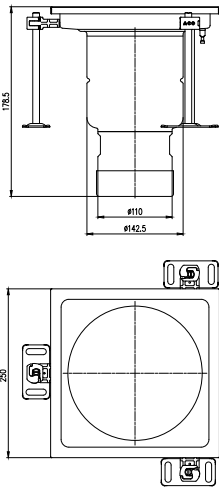
- Hygienic design following EN 1672, EN ISO 14159 and EHEDG document No. 8, 13 and 44
- Fully pickled and passivated
- Fully removable and easily cleanable stainless steel foul air trap (FAT)
- Protective cover available. See page 264 for more details
- Tested and certified according to EN 1253
- Fire tested and certified solution available for classes EI 90 – EI 180 (EN 13 501-2)
- Wide range of gratings for load class L 15, R 50, M 125 or N 250 (EN 1253) including slip resistant solution
- Adjustable EasyFix levelling feet

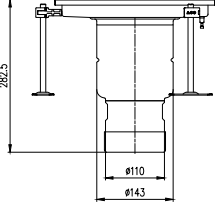
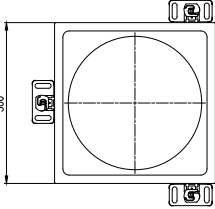


Order information

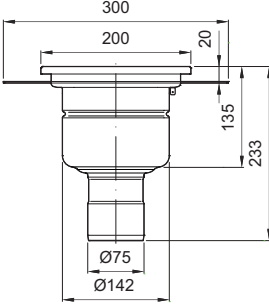
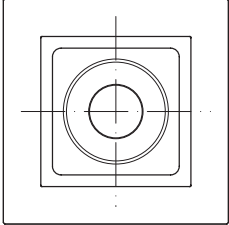
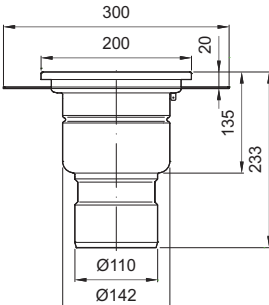
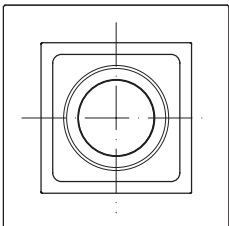
| | Top size [mm] | Outlet diameter ø [mm] | Foul air trap | Flow rate EN-1253-1 / Direct [l/s] | Material | Item number | |
|--|------------------|------------------------------|---------------|--|------------|-------------|--------|
| | 200 x 200 | 75 | Without FAT | N/A | 1.4301 | 414700 | |
| | | | | | 1.4404 | 414800 | |
| | | | | With FAT | 1.45 / 2.1 | 1.4301 | 414701 |
| | | | | | | 1.4404 | 414801 |

ACO hygienic gully 142
fixed height, vertical outlet

| | Top size [mm] | Outlet diameter ø [mm] | Foul air trap | Flow rate EN-1253-1 / Direct [l/s] | Material | Item number | |
|---|------------------|------------------------------|--|--|----------|-------------|--------|
|  | 200 x 200 | 110 | Without FAT | N/A | 1.4301 | 414702 | |
| | | | | | | 1.4404 | 414802 |
| | | | With FAT | 1.45 / 2.1 | 1.4301 | 414703 | |
| | | | | | 1.4404 | 414803 | |
|  | 200 x 200 | 110 | Without FAT, no protective cover | N/A | 1.4301 | 449266 | |
| | | | With easy FAT and protective cover | 2.4 / N/A | | 449266_CF | |
|  | 250 x 250 | 110 | Without FAT, no protective cover | N/A | 1.4301 | 449267 | |
| | | | With easy FAT and protective cover | 2.4 / N/A | | 449267_CF | |

| | Top size | Outlet diameter | Foul air trap | Flow rate | Material | Item number |
|---|-----------|-----------------|---------------------------------------|--------------------------|----------|-------------|
| | [mm] | ø [mm] | | EN-1253-1 / Direct [l/s] | | |
|  | 300 x 300 | 110 | Without FAT, no protective cover | N/A | 1.4301 | 449268 |
| | | | | 2.4 / N/A | | |
|  | 300 x 300 | 110 | With easy FAT and protective cover | N/A | 1.4301 | 449268_CF |
| | | | | 2.4 / N/A | | |

Extended edge

| | | | | | | |
|---|-----------|-----|----------|------------|--------|--------|
|  | 200 x 200 | 75 | With FAT | 1.45 / 2.1 | 1.4301 | 414744 |
| | | | | | | |
|  | | | | | 1.4404 | 414844 |
| | | | | | | |
|  | 200 x 200 | 110 | With FAT | 1.45 / 2.1 | 1.4301 | 414745 |
| | | | | | | |
|  | | | | | 1.4404 | 414845 |
| | | | | | | |

ACO hygienic gully 142 fixed height, horizontal outlet

Product information

Fixed height gully can be specified as a point drainage in areas where waterproofing is independent of the gully body.

Those gullies can be combined with different grates depending on requested load class.

1

Product benefits

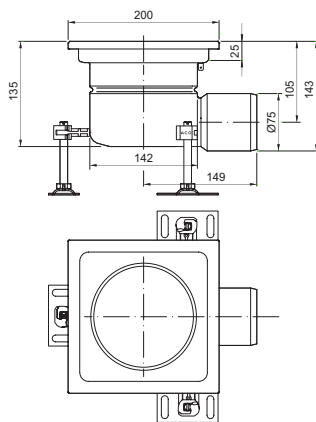
- Hygienic design following EN 1672, EN ISO 14159 and EHEDG document No. 8, 13 and 44
- Fully pickled and passivated
- Fully removable and easily cleanable stainless steel foul air trap (FAT)
- Protective cover available.
- Tested and certified according to EN 1253
- Wide range of gratings for load class L 15, R 50, M 125 or N 250 (EN 1253) including slip resistant solution
- Adjustable EasyFix levelling feet



Order information

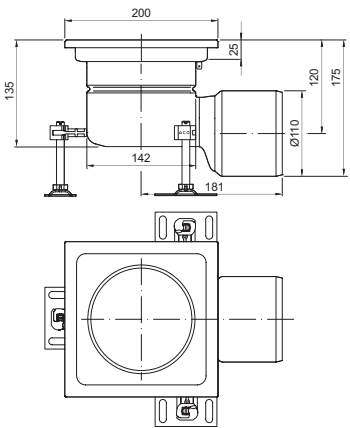
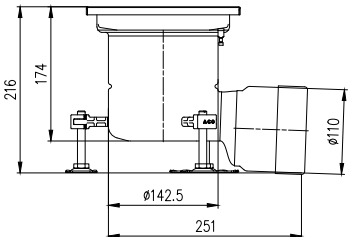
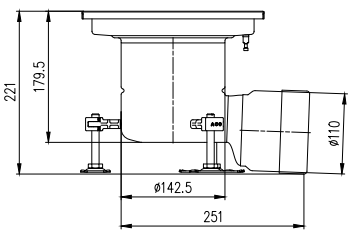
| Top size [mm] | Outlet diameter ø [mm] | Foul air trap | Flow rate EN-1253-1 / Direct [l/s] | Material | Item number |
|------------------|------------------------------|---------------|--|----------|-------------|
|------------------|------------------------------|---------------|--|----------|-------------|

Standard edge



| | | | | | |
|-----------|----|-------------|------------|--------|--------|
| 200 x 200 | 75 | Without FAT | N/A | 1.4301 | 414704 |
| | | | | 1.4404 | 414804 |
| | | With FAT | 1.45 / 1.7 | 1.4301 | 414705 |
| | | | | 1.4404 | 414805 |

18

| | Top size [mm] | Outlet diameter ø [mm] | Foul air trap | Flow rate EN-1253-1 / Direct [l/s] | Material | Item number | |
|---|------------------|------------------------------|--|--|----------|-------------|--------|
|  | 200 x 200 | 110 | Without FAT | N/A | 1.4301 | 414706 | |
| | | | | | | 1.4404 | 414806 |
| | | | With FAT | 1.45 / 1.7 | 1.4301 | 414707 | |
| | | | | | 1.4404 | 414807 | |
|  | 200 x 200 | 110 | Without FAT, no protective cover | N/A | 1.4301 | 449269 | |
| | | | With easy FAT and protective cover | 2.1 / N/A | | 449269_CF | |
|  | 250 x 250 | 110 | Without FAT, no protective cover | N/A | 1.4301 | 449270 | |
| | | | With easy FAT and protective cover | 2.1 / N/A | | 449270_CF | |

| | Top size [mm] | Outlet diameter ø [mm] | Foul air trap | Flow rate EN-1253-1 / Direct [l/s] | Material | Item number |
|----------------------|------------------|------------------------------|--|--|----------|-------------|
| | 300 x 300 | 110 | Without FAT, no protective cover | N/A | 1.4301 | 449271 |
| | | | With easy FAT and protective cover | 2.1 / N/A | | 449271_CF |
| Extended edge | | | | | | |
| | 200 x 200 | 75 | With FAT | 1.45 / 1.7 | 1.4301 | 414746 |
| | | | | | 1.4404 | 414846 |
| | 200 x 200 | 110 | With FAT | 1.45 / 1.7 | 1.4301 | 414747 |
| | | | | | 1.4404 | 414847 |

ACO hygienic gully 142 telescopic, vertical outlet

Product information

Telescopic gully can be combined either with gully tops or with linear drainage channels.

Gullies are equipped with flanges for connection of waterproof membrane.

Telescopic solution enables height and rotational adjustment of connected gully top or channel.

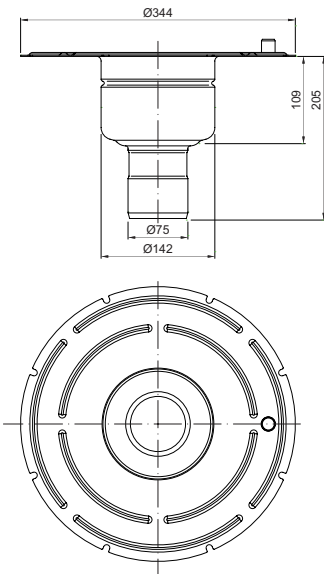
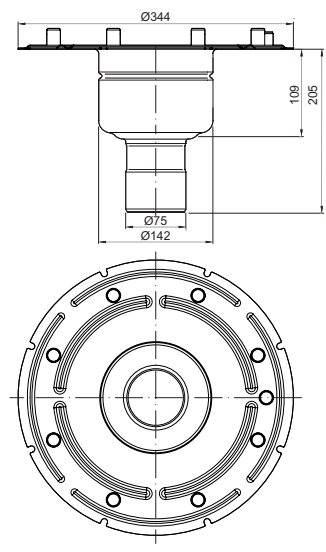
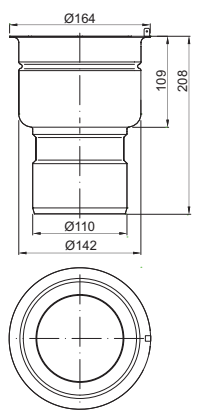
Product benefits

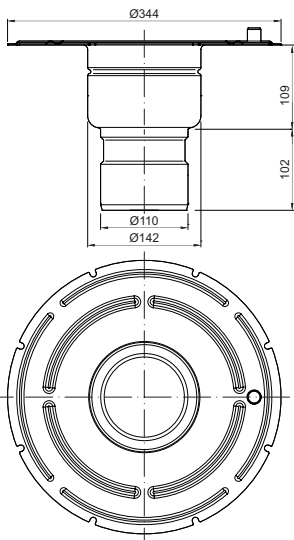
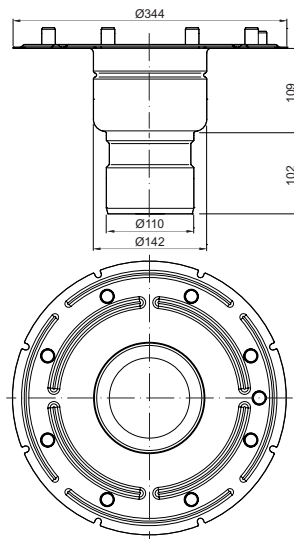
- Hygienic design following EN 1672, EN ISO 14159 and EHEDG document No. 8, 13 and 44
- Fully pickled and passivated
- Fully removable and easily cleanable stainless steel foul air trap (FAT)
- Tested and certified according to EN 1253
- Fire tested and certified solution available for classes EI 90 – EI 180 (EN 13 501-2)
- Suitable for all floor types including vinyl flooring
- Telescopic friction ring included



Order information

| | Type of flange | Outlet diameter | Foul air trap | Flow rate | Material | Item number |
|--|-----------------|-----------------|---------------|--------------------|----------|-------------|
| | | ø [mm] | | EN-1253-1 / Direct | | |
| | Location flange | 75 | Without FAT | N/A | 1.4301 | 414708 |
| | | | | | 1.4404 | 414808 |
| | | | With FAT | 1,4 - 1,7 / 2,1 | 1.4301 | 414709 |
| | | | | | 1.4404 | 414809 |

| Type of flange | Outlet diameter ø [mm] | Foul air trap | Flow rate EN-1253-1 / Direct [l/s] | Material | Item number |
|--|---------------------------|---------------|--|----------|-------------|
|  <p>Adhesive bonding flange</p> | 75 | Without FAT | N/A | 1.4301 | 414710 |
| | | With FAT | 1,4 - 1,7 / 2,1 | 1.4404 | 414810 |
| | | Without FAT | N/A | 1.4301 | 414711 |
| | | With FAT | 1,4 - 1,7 / 2,1 | 1.4404 | 414811 |
|  <p>Mechanical clamping flange</p> | 75 | Without FAT | N/A | 1.4301 | 414712 |
| | | With FAT | 1,4 - 1,7 / 2,1 | 1.4404 | 414812 |
| | | Without FAT | N/A | 1.4301 | 414713 |
| | | With FAT | 1,4 - 1,7 / 2,1 | 1.4404 | 414813 |
|  <p>Location flange</p> | 110 | Without FAT | N/A | 1.4301 | 414714 |
| | | With FAT | 1,6 - 2 / 1,7 | 1.4404 | 414814 |
| | | Without FAT | N/A | 1.4301 | 414715 |
| | | With FAT | 1,6 - 2 / 1,7 | 1.4404 | 414815 |

| Type of flange | Outlet diameter ø [mm] | Foul air trap | Flow rate EN-1253-1 / Direct [l/s] | Material | Item number |
|--|---------------------------|---------------|--|----------|-------------|
|  <p>Adhesive bonding flange</p> | 110 | Without FAT | N/A | 1.4301 | 414716 |
| | | With FAT | 1,6 - 2 / 1,7 | 1.4404 | 414816 |
| | | Without FAT | N/A | 1.4301 | 414717 |
| | | With FAT | 1,6 - 2 / 1,7 | 1.4404 | 414817 |
|  <p>Mechanical clamping flange</p> | 110 | Without FAT | N/A | 1.4301 | 414718 |
| | | With FAT | 1,6 - 2 / 1,7 | 1.4404 | 414818 |
| | | Without FAT | N/A | 1.4301 | 414719 |
| | | With FAT | 1,6 - 2 / 1,7 | 1.4404 | 414819 |

1

ACO hygienic gully 142 telescopic, horizontal outlet

Product information

Telescopic gully can be combined either with ACO gully top or ACO channel in most flooring constructions.

Telescopic solution enables height and rotational adjustment of connected gully top or channel.

Gullies are equipped with flanges for connection of waterproof membrane.

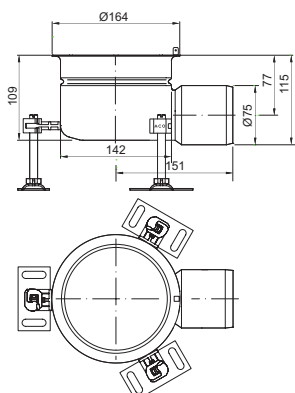
1

Product benefits

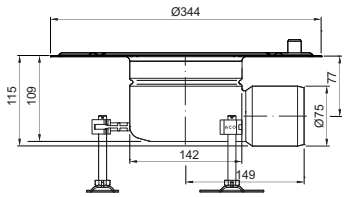
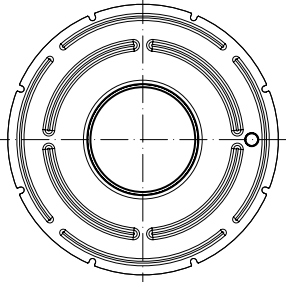
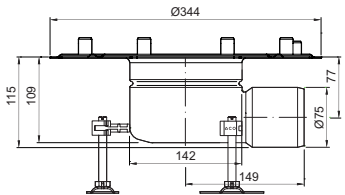
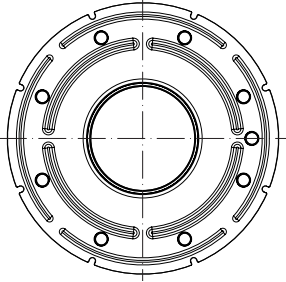
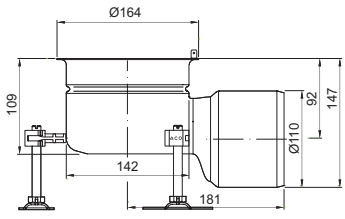
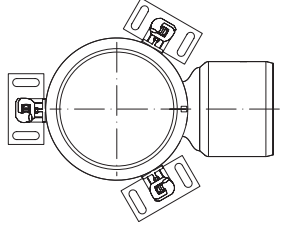
- Hygienic design following EN 1672, EN ISO 14159 and EHEDG document No. 8, 13 and 44
- Fully pickled and passivated
- Fully removable and easily cleanable stainless steel foul air trap (FAT)
- Tested and certified according to EN 1253
- Suitable for all floor types including vinyl flooring
- Telescopic friction ring included
- Adjustable EasyFix levelling feet



Order information

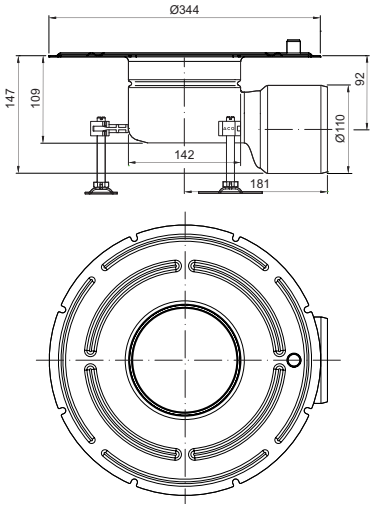
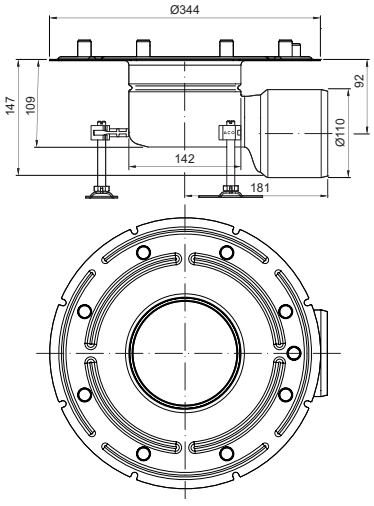
| Type of flange | Outlet diameter ø [mm] | Foul air trap | Flow rate EN-1253-1 / Direct [l/s] | Material | Item number |
|---|---------------------------|----------------------|--|----------|-------------|
|  | 75 | Without FAT | N/A | 1.4301 | 414720 |
| | | With location flange | | 1.4404 | 414820 |
| | | With FAT | 1,4 - 1,7 / 1,7 | 1.4301 | 414721 |
| | | | | 1.4404 | 414821 |

24

| Type of flange | Outlet diameter ø [mm] | Foul air trap | Flow rate EN-1253-1 / Direct [l/s] | Material | Item number | | | | |
|--|---------------------------|---------------|--|---|-----------------|-------------|--------|--------|--------|
|   | 75 | Without FAT | N/A | 1.4301 | 414722 | | | | |
| | | | | 1.4404 | 414822 | | | | |
| | | | | 1.4301 | 414723 | | | | |
| | | | | With FAT | 1,4 - 1,7 / 1,7 | 1.4404 | 414823 | | |
| | | | |   | 75 | Without FAT | N/A | 1.4301 | 414724 |
| | | | | | | | | 1.4404 | 414824 |
| 1.4301 | 414725 | | | | | | | | |
| With FAT | 1,4 - 1,7 / 1,7 | 1.4404 | 414825 | | | | | | |
|   | 110 | Without FAT | N/A | | | | | 1.4301 | 414726 |
| | | | | | | | | 1.4404 | 414826 |
| | | | | 1.4301 | 414727 | | | | |
| | | | | With FAT | 1,4 - 1,7 / 1,7 | 1.4404 | 414827 | | |

1

25

| Type of flange | Outlet diameter ø [mm] | Foul air trap | Flow rate EN-1253-1 / Direct [l/s] | Material | Item number |
|---|---------------------------|---------------|--|----------|-------------|
|  <p>With adhesive bonding flange</p> | 110 | Without FAT | N/A | 1.4301 | 414728 |
| | | With FAT | 1,4 - 1,7 / 1,7 | 1.4404 | 414828 |
| | | Without FAT | N/A | 1.4301 | 414729 |
| | | With FAT | 1,4 - 1,7 / 1,7 | 1.4404 | 414829 |
|  <p>With mechanical clamping flange</p> | 110 | Without FAT | N/A | 1.4301 | 414730 |
| | | With FAT | 1,4 - 1,7 / 1,7 | 1.4404 | 414830 |
| | | Without FAT | N/A | 1.4301 | 414731 |
| | | With FAT | 1,4 - 1,7 / 1,7 | 1.4404 | 414831 |

1

ACO hygienic gully 142 gully top, telescopic

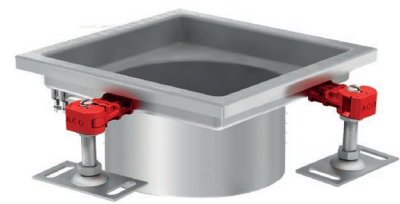
Product information

Gully top can be combined with telescopic gully.

Different gully top types are available depending on floor structure.

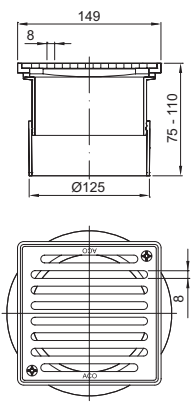
Product benefits

- Hygienic design following EN 1672, EN ISO 14159 and EHEDG document No. 8, 13 and 44
- Fully pickled and passivated
- Protective cover available. See page 264 for more details
- Tested and certified according to EN 1253
- Wide range of gratings for load class L 15, R 50, M 125 or N 250 (EN 1253) including slip resistant solution
- Adjustable EasyFix levelling feet



Order information

| | Gully top type | Gully top size [mm] | Material | Item number |
|--|----------------|------------------------|----------|-------------|
| | Standard edge | 200 x 200 | 1.4301 | 414732 |
| | | | 1.4404 | 414832 |
| | Extended edge | 200 x 200 | 1.4301 | 414734 |
| | | | 1.4404 | 414834 |

| | Gully top type | Gully top size [mm] | Material | Item number |
|---|---|------------------------|----------|-------------|
|  | Extended top with drainage holes | 200 x 200 | 1.4301 | 414735 |
| | | | 1.4404 | 414835 |
|  | Plastic top with stainless steel grating (K3) | 149 x 149 | Plastic | 414903* |
| | | | | |
|  | MEKU top with stainless steel grating (K3) | 148 x 148 | Plastic | 414904* |
| | | | | |
|  | Square top with stainless steel grating (K3) | 148 x 148 | 1.4301 | 414905* |
| | | | | |

* Hygienic design following EN 1672, EN ISO 14159 and EHEDG document No. 8, 13, 44 not applied.

Gratings for gully top 200 x 200 mm → Page 75

| Gully top type | Gully top size [mm] | Material | Item number | |
|----------------|--|-----------|-------------|---------|
| | Plastic top with stainless steel grating (K3) | 150 x 150 | Plastic | 414906* |
| | Plastic thin-bed top with sliding frame and stainless steel grating (K3) | 148 x 148 | Plastic | 414907* |
| | Square top with sanded flange and stainless steel grating (K3) | 148 x 148 | 1.4301 | 414909* |

1

* Hygienic design following EN 1672, EN ISO 14159 and EHEDG document No. 8, 13, 44 not applied.

ACO hygienic gully 142 raising piece, telescopic

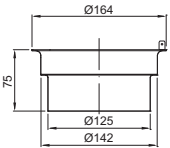
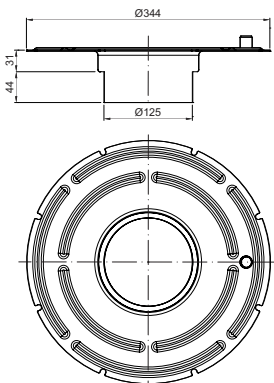
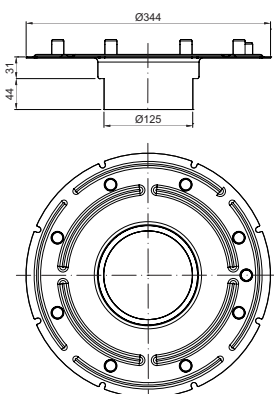
Product information

Raising piece can be used for floor structures where multi waterproofing is needed (heat insulation) or where construction height of the slab needs to be increased.

Product benefits

- Hygienic design following EN 1672, EN ISO 14159 and EHEDG document No. 8, 13 and 44
- Fully pickled and passivated
- Tested and certified according to EN 1253
- Suitable for all floor types including vinyl flooring
- Variety of flanges for membranes
- Telescopic friction ring included



| Type of flange | Material | Item number |
|---|----------|-------------|
|  | 1.4301 | 414736 |
| | 1.4404 | 414836 |
|  | 1.4301 | 414737 |
| | 1.4404 | 414837 |
|  | 1.4301 | 414738 |
| | 1.4404 | 414838 |

ACO hygienic gully 157 fixed height, vertical outlet

Product information

Fixed height gully can be specified as a point drainage in areas where waterproofing is independent of the gully body.

Those gullies can be combined with different grates depending on requested load class.

Product benefits

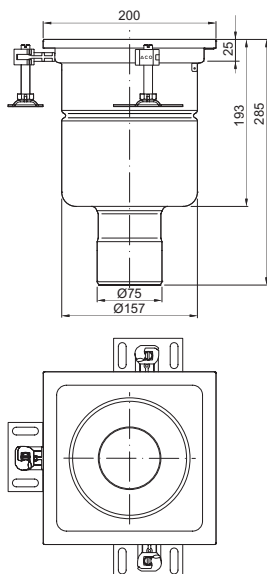
- Hygienic design following EN 1672, EN ISO 14159 and EHEDG document No. 8, 13 and 44
- Fully pickled and passivated
- Fully removable and easily cleanable stainless steel foul air trap (FAT)
- Protective cover available. See page 264 for more details
- Tested and certified according to EN 1253
- Fire tested and certified solution available for classes EI 90 – EI 180 (EN 13 501-2)
- Wide range of gratings for load class L 15, R 50, M 125 or N 250 (EN 1253) including slip resistant solution
- Adjustable EasyFix levelling feet



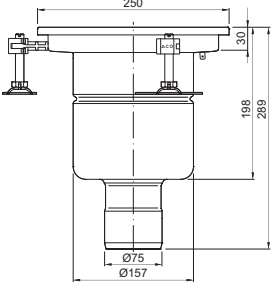
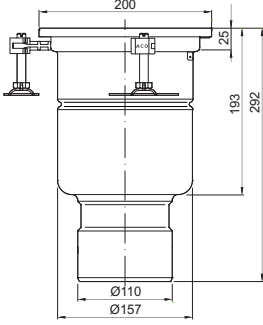
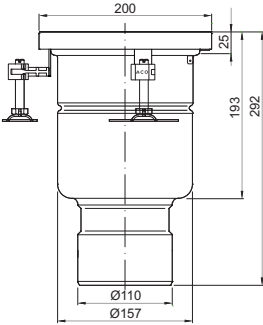
Order information

| Top size [mm] | Outlet diameter ø [mm] | Foul air trap | Flow rate EN-1253-1 / Direct [l/s] | Material | Item number |
|------------------|---------------------------|---------------|--|----------|-------------|
|------------------|---------------------------|---------------|--|----------|-------------|

Standard edge



| | | | | | |
|-----------|----|-------------|---------|--------|--------|
| 200 x 200 | 75 | Without FAT | N/A | 1.4301 | 408000 |
| | | | | 1.4404 | 408100 |
| | | With FAT | 2.7 / 4 | 1.4301 | 408001 |
| | | | | 1.4404 | 408101 |

| | Top size [mm] | Outlet diameter ø [mm] | Foul air trap | Flow rate EN-1253-1 / Direct [l/s] | Material | Item number | |
|---|--|------------------------------|---------------|--|----------|-------------|--------|
|  | 250 x 250 | 75 | Without FAT | N/A | 1.4301 | 408016 | |
| | | | | | | 1.4404 | 408116 |
| | | | With FAT | 2.7 / 4 | 1.4301 | 408017 | |
| | | | | | 1.4404 | 408117 | |
|  | 200 x 200 | 110 | Without FAT | N/A | 1.4301 | 408002 | |
| | | | | | | 1.4404 | 408102 |
| | | | With FAT | 3.5 / 4.5 | 1.4301 | 408003 | |
| | | | | | 1.4404 | 408103 | |
|  | 200 x 200 with extended vertical edge and PUR infill | 110 | With FAT | 3.5 / 4.5 | 1.4301 | 445556 | |
| | | | | | | | |

| | Top size [mm] | Outlet diameter ø [mm] | Foul air trap | Flow rate EN-1253-1 / Direct [l/s] | Material | Item number | |
|----------------------|------------------|------------------------------|---------------|--|----------|-------------|--------|
| Standard edge | | | | | | | |
| | 250 x 250 | 110 | Without FAT | N/A | 1.4301 | 408018 | |
| | | | | | | 1.4404 | 408118 |
| | | | With FAT | 3.5 / 4.5 | 1.4301 | 408019 | |
| | | | | | 1.4404 | 408119 | |
| Extended edge | | | | | | | |
| | 200 x 200 | 75 | With FAT | 2.7 / 4 | 1.4301 | 408047 | |
| | | | | | 1.4404 | 408147 | |
| | 200 x 200 | 110 | With FAT | 3.5 / 4.5 | 1.4301 | 408099 | |
| | | | | | 1.4404 | 408199 | |

ACO hygienic gully 157 fixed height, vertical outlet, round top

Product information

Fixed height gully can be specified as a point drainage in areas where waterproofing is independent of the gully body.

Those gullies can be combined with different grates depending on requested load class.

Product benefits

- Hygienic design following EN 1672, EN ISO 14159 and EHEDG document No. 8, 13 and 44
- Fully pickled and passivated
- Fully removable and easily cleanable stainless steel foul air trap (FAT)
- Tested and certified according to EN 1253
- Wide range of gratings including slip resistant solution
- Fire tested and certified solution available for classes EI 90 – EI 180 (EN 13 501-2)
- Adjustable EasyFix levelling feet



Order information

| | Top size ø [mm] | Outlet diameter ø [mm] | Foul air trap | Flow rate EN-1253-1 / Direct [l/s] | Material | Item number |
|--|--------------------|------------------------------|---------------|--|----------|----------------|
| | 230 | 75 | Without FAT | N/A | 1.4301 | 446734 |
| | | | | | 1.4404 | 446742 |
| | | | With FAT | 2.7 / 4 | 1.4301 | 446735 |
| | | | | | 1.4404 | 446743 |

| | Top size ø [mm] | Outlet diameter ø [mm] | Foul air trap | Flow rate EN-1253-1 / Direct [l/s] | Material | Item number | |
|--|--------------------|------------------------------|---------------|--|----------|----------------|--------|
| | 230 | 110 | Without FAT | N/A | 1.4301 | 446736 | |
| | | | | | | 1.4404 | 446744 |
| | | | With FAT | 3.5 / 4.5 | 1.4301 | 446737 | |
| | | | | | 1.4404 | 446745 | |

1

ACO hygienic gully 157 fixed height, horizontal outlet

Product information

Fixed height gully can be specified as a point drainage in areas where waterproofing is independent of the gully body.

Those gullies can be combined with different grates depending on requested load class.

Product benefits

- Hygienic design following EN 1672, EN ISO 14159 and EHEDG document No. 8, 13 and 44
- Fully pickled and passivated
- Fully removable and easily cleanable stainless steel foul air trap (FAT)
- Protective cover available. See page 264 for more details
- Tested and certified according to EN 1253
- Wide range of gratings for load class L 15, R 50, M 125 or N 250 (EN 1253) including slip resistant solution
- Adjustable EasyFix levelling feet



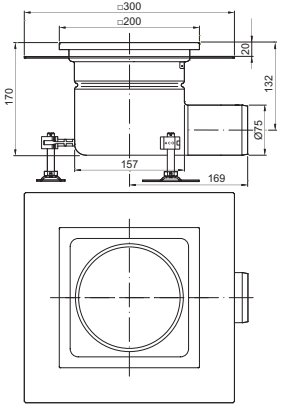
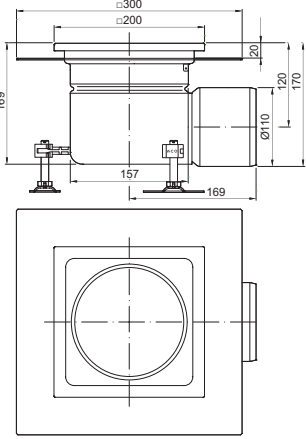
Order information

| | Top size [mm] | Outlet diameter ø [mm] | Foul air trap | Flow rate EN-1253-1 / Direct [l/s] | Material | Item number |
|--|------------------|------------------------------|---------------|--|----------|----------------|
| | 200 x 200 | 75 | Without FAT | N/A | 1.4301 | 408008 |
| | | | | | 1.4404 | 408108 |
| | 200 x 200 | 75 | With FAT | 2,6 / 4,2 | 1.4301 | 408009 |
| | | | | | 1.4404 | 408109 |

| | Top size [mm] | Outlet diameter ø [mm] | Foul air trap | Flow rate EN-1253-1 / Direct [l/s] | Material | Item number |
|--|------------------|------------------------------|---------------|--|----------|----------------|
| | 250 x 250 | 75 | Without FAT | N/A | 1.4301 | 408024 |
| | | | | | 1.4404 | 408124 |
| | | | With FAT | 2,6 / 4,2 | 1.4301 | 408025 |
| | | | | 1.4404 | 408125 | |

Standard edge

| | | | | | | |
|----------|--|-----------|-------------|-------------|--------|--------|
| | 200 x 200 | 110 | Without FAT | N/A | 1.4301 | 408010 |
| | | | | | 1.4404 | 408110 |
| | | | With FAT | 2,8 / 5 | 1.4301 | 408011 |
| | | | | 1.4404 | 408111 | |
| | 200 x 200 with extended vertical edge and PUR infill | 110 | With FAT | 2,8 / 5 | 1.4301 | 445557 |
| | | 250 x 250 | 110 | Without FAT | N/A | 1.4301 |
| 1.4404 | | | | | | 408126 |
| With FAT | | | | 2,8 / 5 | 1.4301 | 408027 |
| | | | | 1.4404 | 408127 | |

| | Top size [mm] | Outlet diameter ø [mm] | Foul air trap | Flow rate EN-1253-1 / Direct [l/s] | Material | Item number |
|--|------------------|------------------------------|---------------|--|----------|----------------|
|  | 200 x 200 | 75 | With FAT | 2,6 / 4,2 | 1.4301 | 408014 |
| | | | | | 1.4404 | 408114 |
|  | 200 x 200 | 110 | With FAT | 2,8 / 5 | 1.4301 | 408015 |
| | | | | | 1.4404 | 408115 |

ACO hygienic gully 157 fixed height, horizontal outlet, round top

Product information

Fixed height gully can be specified as a point drainage in areas where waterproofing is independent of the gully body.

Those gullies can be combined with different grates depending on requested load class.

Product benefits

- Hygienic design following EN 1672, EN ISO 14159 and EHEDG document No. 8, 13 and 44
- Fully pickled and passivated
- Fully removable and easily cleanable stainless steel foul air trap (FAT)
- Protective cover available. See page 264 for more details
- Tested and certified according to EN 1253
- Wide range of gratings including slip resistant solution
- Adjustable EasyFix levelling feet



Order information

| | Top size ø [mm] | Outlet diameter ø [mm] | Foul air trap | Flow rate EN-1253-1 / Direct [l/s] | Material | Item number | |
|--|--------------------|---------------------------|---------------|--|-----------|-------------|--------|
| | 230 | 75 | Without FAT | N/A | 1.4301 | 446738 | |
| | | | | | 1.4404 | 446746 | |
| | | | | With FAT | 2,6 / 4,2 | 1.4301 | 446739 |
| | | | | | | 1.4404 | 446747 |

ACO hygienic gully 157
fixed height, horizontal outlet, round top

| | Top size ø [mm] | Outlet diameter ø [mm] | Foul air trap | Flow rate EN-1253-1 / Direct [l/s] | Material | Item number | |
|--|--------------------|------------------------------|---------------|--|----------|----------------|--------|
| | 230 | 110 | Without FAT | N/A | 1.4301 | 446740 | |
| | | | | | | 1.4404 | 446748 |
| | | | With FAT | 2,8 / 5 | 1.4301 | 446741 | |
| | | | | | 1.4404 | 446749 | |

1

ACO hygienic gully 157 telescopic, vertical outlet

Product information

Telescopic gully can be combined either with gully top or ACO channel in most flooring constructions.

Telescopic solution enables height and rotational adjustment of connected gully top or channel.

Gullies are equipped with flanges for connection of waterproof membrane.

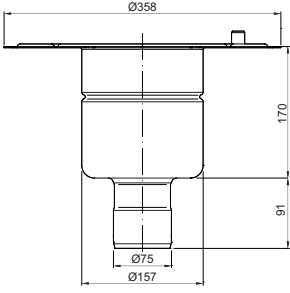
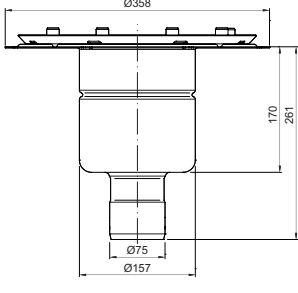
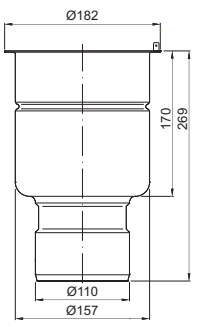
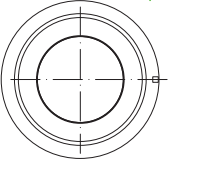
Product benefits

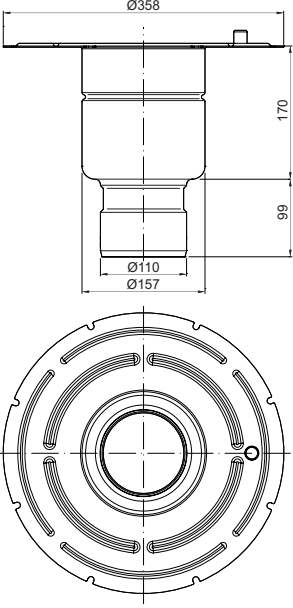
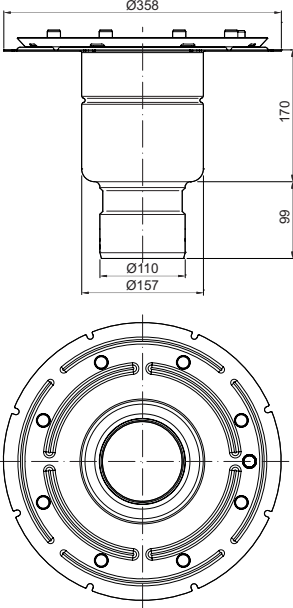
- Hygienic design following EN 1672, EN ISO 14159 and EHEDG document No. 8, 13 and 44
- Fully pickled and passivated
- Fully removable and easily cleanable stainless steel foul air trap (FAT)
- Tested and certified according to EN1253
- Fire tested and certified solution available for classes EI90 – EI 180 (EN 13 501-2)
- Suitable for all floor types including vinyl flooring
- Telescopic friction ring included



Order information

| | Type of flange | Outlet diameter | Foul air trap | Flow rate | Material | Item number |
|--|-----------------|-----------------|---------------|--------------------------|----------|-------------|
| | | ø [mm] | | EN-1253-1 / Direct [l/s] | | |
| | Location flange | 75 | Without FAT | N/A | 1.4301 | 408048 |
| | | | | | 1.4404 | 408148 |
| | | | With FAT | 2,7 - 3,3 / 4 | 1.4301 | 408049 |
| | | | | | 1.4404 | 408149 |

| Type of flange | Outlet diameter ø [mm] | Foul air trap | Flow rate EN-1253-1 / Direct [l/s] | Material | Item number |
|--|---------------------------|---------------|--|----------|-------------|
|   | 75 | Without FAT | N/A | 1.4301 | 408050 |
| | | | | 1.4404 | 408150 |
| | | With FAT | 2,7 - 3,3 / 4 | 1.4301 | 408051 |
| | | | 1.4404 | 408151 | |
|   | 75 | Without FAT | N/A | 1.4301 | 408052 |
| | | | | 1.4404 | 408152 |
| | | With FAT | 2,7 - 3,3 / 4 | 1.4301 | 408053 |
| | | | 1.4404 | 408153 | |
|   | 110 | Without FAT | N/A | 1.4301 | 408054 |
| | | | | 1.4404 | 408154 |
| | | With FAT | 3,5 - 4,4 / 4,5 | 1.4301 | 408055 |
| | | | 1.4404 | 408155 | |

| Type of flange | Outlet diameter ø [mm] | Foul air trap | Flow rate EN-1253-1 / Direct [l/s] | Material | Item number | |
|--|---------------------------|---------------|--|----------|-------------|--------|
|  <p>Adhesive bonding flange</p> | 110 | Without FAT | N/A | 1.4301 | 408056 | |
| | | | | | 1.4404 | 408156 |
| | | With FAT | 3,5 - 4,4 / 4,5 | 1.4301 | 408057 | |
| | | | | 1.4404 | 408157 | |
|  <p>Mechanical clamping flange</p> | 110 | Without FAT | N/A | 1.4301 | 408058 | |
| | | | | | 1.4404 | 408158 |
| | | With FAT | 3,5 - 4,4 / 4,5 | 1.4301 | 408059 | |
| | | | | 1.4404 | 408159 | |

1

43

ACO hygienic gully 157 telescopic, horizontal outlet

Product information

Telescopic gully can be combined either with gully top or ACO channel in most flooring constructions.

Telescopic solution enables height and rotational adjustment of connected gully top or channel.

Gullies are equipped with flanges for connection of waterproof membrane.

1

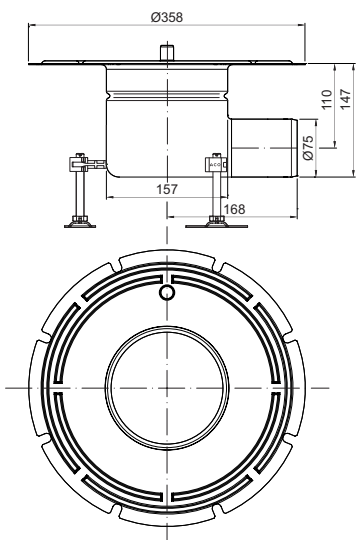
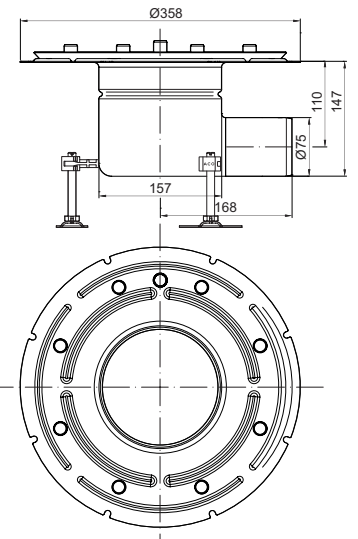
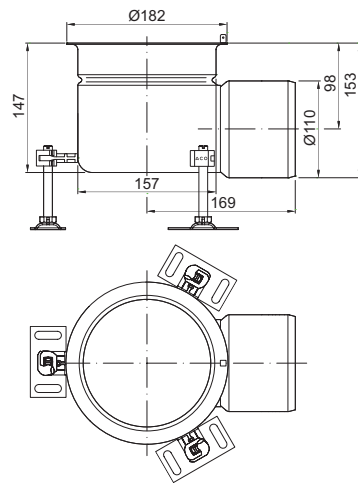
Product benefits

- EN ISO 14159 and EHEDG document No. 8, 13 and 44
- Fully pickled and passivated
- Fully removable and easily cleanable stainless steel foul air trap (FAT)
- Tested and certified according to EN 1253
- Suitable for all floor types including vinyl flooring
- Telescopic friction ring included
- Adjustable EasyFix levelling feet



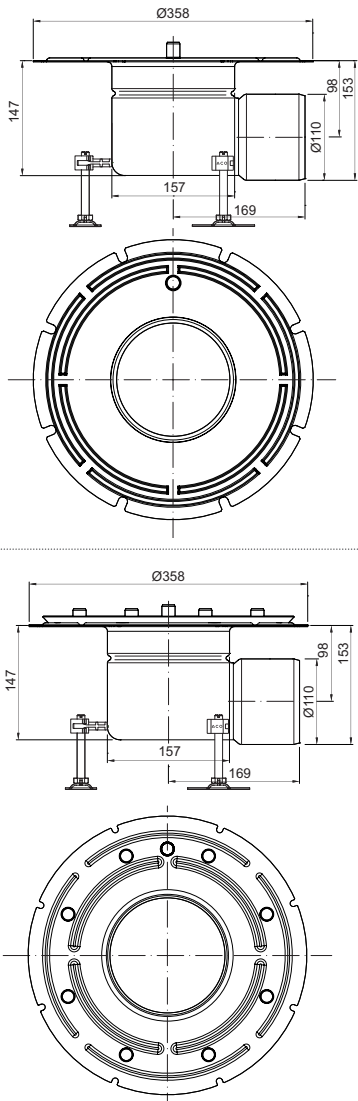
Order information

| | Type of flange | Outlet diameter ø [mm] | Foul air trap | Flow rate EN-1253-1 / Direct [l/s] | Material | Item number |
|--|-----------------|---------------------------|---------------|--|----------|-------------|
| | Location flange | 75 | Without FAT | N/A | 1.4301 | 408072 |
| | | | With FAT | 2,6 - 3,3 / 4,2 | 1.4404 | 408172 |
| | Location flange | 75 | Without FAT | N/A | 1.4301 | 408073 |
| | | | With FAT | 2,6 - 3,3 / 4,2 | 1.4404 | 408173 |

| Type of flange | Outlet diameter ø [mm] | Foul air trap | Flow rate EN-1253-1 / Direct [l/s] | Material | Item number |
|--|---------------------------|---------------|--|----------|-------------|
|  <p>Adhesive bonding flange</p> | 75 | Without FAT | N/A | 1.4301 | 408074 |
| | | | | 1.4404 | 408174 |
| | | With FAT | 2,6 - 3,3 / 4,2 | 1.4301 | 408075 |
| | | | 1.4404 | 408175 | |
|  <p>Mechanical clamping flange</p> | 75 | Without FAT | N/A | 1.4301 | 408076 |
| | | | | 1.4404 | 408176 |
| | | With FAT | 2,8 - 4,4 / 4,5 | 1.4301 | 408077 |
| | | | 1.4404 | 408177 | |
|  <p>Location flange</p> | 110 | Without FAT | N/A | 1.4301 | 408078 |
| | | | | 1.4404 | 408178 |
| | | With FAT | 2,8 - 4,4 / 4,5 | 1.4301 | 408079 |
| | | | 1.4404 | 408179 | |

1

45

| | Type of flange | Outlet diameter ø [mm] | Foul air trap | Flow rate EN-1253-1 / Direct [l/s] | Material | Item number |
|--|----------------------------|---------------------------|---------------|--|----------|-------------|
|  | Adhesive bonding flange | 110 | Without FAT | N/A | 1.4301 | 408080 |
| | | | With FAT | 2,8 - 4,4 / 4,5 | 1.4404 | 408180 |
| | Mechanical clamping flange | 110 | Without FAT | N/A | 1.4301 | 408082 |
| | | | With FAT | 2,8 - 4,4 / 4,5 | 1.4404 | 408182 |
| | | | Without FAT | N/A | 1.4301 | 408083 |
| | | | With FAT | 2,8 - 4,4 / 4,5 | 1.4404 | 408183 |

ACO hygienic gully 157 gully top, telescopic

Product information

Gully top can be combined with telescopic gully. Different gully

top type is available depending on floor structure.

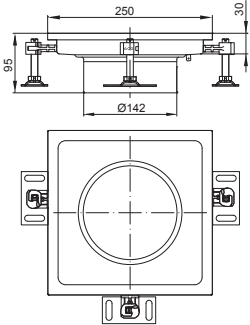
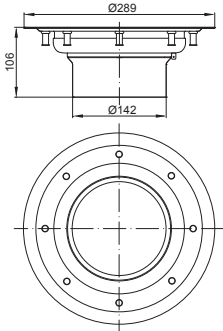
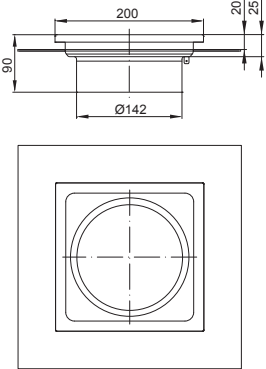
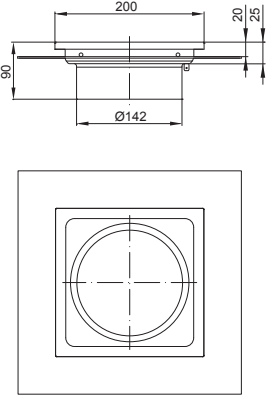
Product benefits

- Hygienic design following EN 1672, EN ISO 14159 and EHEDG document No. 8, 13 and 44
- Fully pickled and passivated
- Protective cover available. See page 264 for more details
- Tested and certified according to EN 1253
- Wide range of gratings for load class L 15, R 50, M 125 or N 250 (EN 1253) including slip resistant solution
- Adjustable EasyFix levelling feet



Order information

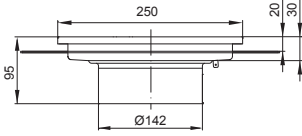
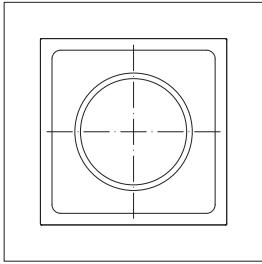
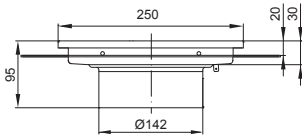
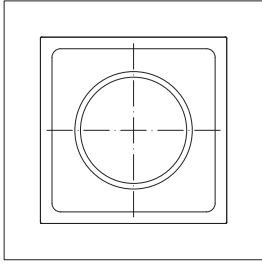
| | Gully top type | Gully top size [mm] | Material | Item number |
|--|----------------|---|----------|-------------|
| | Standard edge | 200 x 200 | 1.4301 | 408208 |
| | | | 1.4404 | 408218 |
| | Standard edge | 200 x 200 with extended vertical edge | 1.4301 | 446401 |

| | Gully top type | Gully top size [mm] | Material | Item number |
|---|--------------------------------------|------------------------|----------|----------------|
|  | Standard edge | 250 x 250 | 1.4301 | 408248 |
| | | | 1.4404 | 408258 |
|  | Vinyl edge | Ø289 | 1.4301 | 408240* |
| | | | 1.4404 | 408250* |
|  | Extended edge | 200 x 200 | 1.4301 | 408241 |
| | | | 1.4404 | 408251 |
|  | Extended edge with drainage holes | 200 x 200 | 1.4301 | 408244 |
| | | | 1.4404 | 408254 |

* Hygienic design following EN 1672, EN ISO 14159 and EHEDG document No. 8, 13, 44 not applied.

Gratings for gully top 200 x 200 mm → Page 75
Gratings for gully top 250 x 250 mm → Page 81
Gratings for vinyl top Ø170 mm → Page 91

Accessories for ACO hygienic gully 157 → Page 94

| Gully top type | Gully top size | Material | Item number | |
|--|-----------------------------------|-----------|-------------|--------|
| | [mm] | | | |
|  | Extended edge | 250 x 250 | 1.4301 | 408245 |
|  | | | 1.4404 | 408255 |
|  | Extended edge with drainage holes | 250 x 250 | 1.4301 | 408246 |
|  | | | 1.4404 | 408256 |

1

ACO hygienic gully 157 gully top, telescopic, round top

Product information

Gully top can be combined with telescopic gully. Different gully top type is available depending on floor structure.

Product benefits

- Hygienic design following EN 1672, EN ISO 14159 and EHEDG document No. 8, 13 and 44
- Fully pickled and passivated
- Protective cover available. See page 264 for more details
- Tested and certified according to EN 1253
- Wide range of gratings including slip resistant solution
- Adjustable EasyFix levelling feet



Order information

| | Gully top type | Gully top size ø [mm] | Material | Item number |
|--|----------------|--------------------------|----------|-------------|
| | | | 1.4301 | 446750 |
| | Standard edge | 230 | 1.4404 | 446751 |

ACO hygienic gully 157 raising piece, telescopic

Product information

Raising piece can be used for floor structures where multiple water-proofing is needed (heat insulation)

or where construction height of the slab needs to be increased.

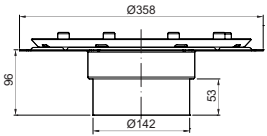
Product benefits

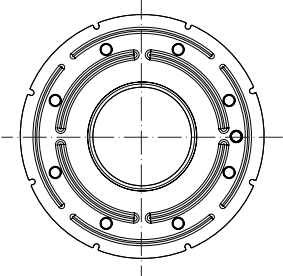
- Hygienic design following EN 1672, EN ISO 14159 and EHEDG document No. 8, 13 and 44
- Fully pickled and passivated
- Tested and certified according to EN 1253
- Suitable for all floor types including vinyl flooring
- Variety of flanges for membranes
- Telescopic friction ring included



Order information

| | Type of flange | Material | Item number |
|--|-------------------------|----------|-------------|
| | Location flange | 1.4301 | 408249 |
| | | 1.4404 | 408259 |
| | Adhesive bonding flange | 1.4301 | 408206 |
| | | 1.4404 | 408216 |

| Type of flange | Material | Item number |
|---|----------|-------------|
|  | 1.4301 | 408207 |
| Mechanical clamping flange | 1.4404 | 408217 |



ACO hygienic gully 218 fixed height, vertical outlet - square top

Product information

Fixed height gully can be specified as a point drainage in areas where waterproofing is independent of

the gully body. Those gullies can be combined with different grates depending on requested load class.

Product benefits

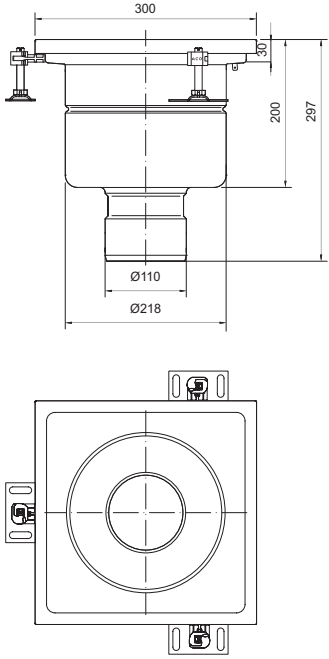
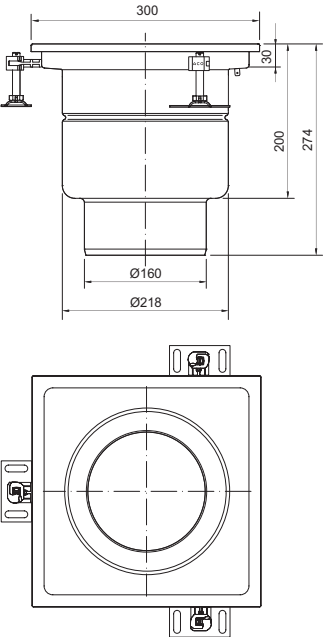
- Hygienic design following EN 1672, EN ISO 14159 and EHEDG document No. 8, 13 and 44
- Fully pickled and passivated
- Fully removable and easily cleanable stainless steel foul air trap (FAT)
- Protective cover available. See page 264 for more details
- Tested and certified according to EN 1253
- Fire tested and certified solution available for classes EI 90 – EI 180 (EN 13 501-2)
- Wide range of gratings for load class L 15, R 50, M 125 or N 250 (EN 1253) including slip resistant solution
- Adjustable EasyFix levelling feet

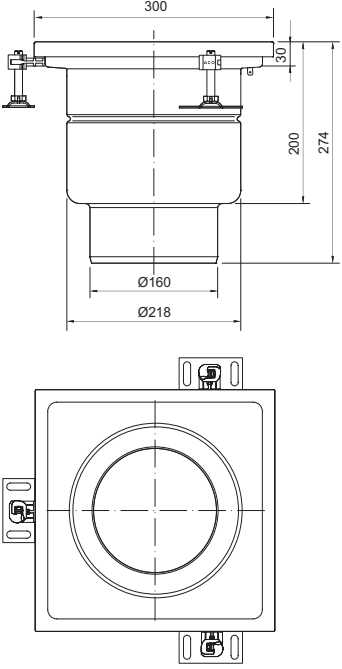


Order information

| | Top size | Outlet diameter | Foul air trap | Flow rate | Material | Item number |
|--|-----------|-----------------|---------------|--------------------------|----------|-------------|
| | [mm] | ø [mm] | | EN-1253-1 / Direct [l/s] | | |
| | 300 x 300 | 110 | Without FAT | N/A | 1.4301 | 408004 |
| | | | | | 1.4404 | 408104 |
| | 300 x 300 | 110 | With FAT | 4.8 / 5.5 | 1.4301 | 408005 |
| | | | | | 1.4404 | 408105 |

ACO hygienic gully 218
fixed height, vertical outlet - square top

| | Top size | Outlet diameter | Foul air trap | Flow rate EN-1253-1 / Direct | Material | Item number |
|---|----------|-----------------|---------------|---------------------------------|----------|-------------|
| | [mm] | ø [mm] | | [l/s] | | |
|  <p>300 x 300 with extended vertical edge and PUR infill</p> | | 110 | With FAT | 4.8 / 5.5 | 1.4301 | 445559 |
|  <p>300 x 300</p> | | 160 | Without FAT | N/A | 1.4301 | 408006 |
| | | | | | 1.4404 | 408106 |
| | | | | | 1.4301 | 408007 |
| | | | With FAT | 5.0 / 5.5 | 1.4404 | 408107 |

| | Top size | Outlet diameter | Foul air trap | Flow rate EN-1253-1 / Direct | Material | Item number |
|---|-----------------|------------------------|----------------------|--|-----------------|--------------------|
| | [mm] | ø [mm] | | [l/s] | | |
|  <p>300 x 300 with extended vertical edge and PUR infill</p> | 300 | 160 | With FAT | 5.0 / 5.5 | 1.4301 | 445560 |

1

ACO hygienic gully 218 extended fixed height, vertical outlet

Product information

Fixed height gully can be specified as a point drainage in areas where waterproofing is independent of

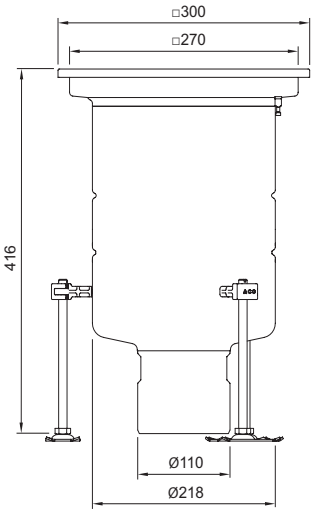
the gully body. Those gullies can be combined with different grates depending on requested load class.

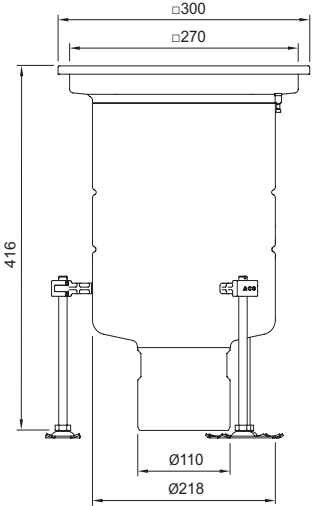
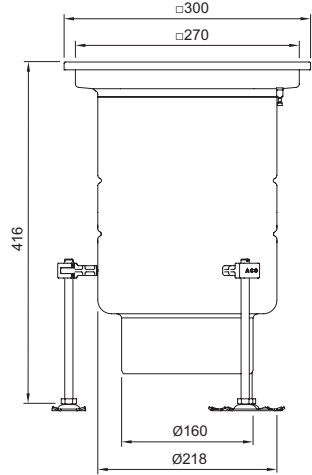
Product benefits

- Hygienic design following EN 1672, EN ISO 14159 and EHEDG document No. 8, 13 and 44
- Fully pickled and passivated
- Fully removable and easily cleanable stainless steel foul air trap (FAT)
- Protective cover available. See page 264 for more details
- Tested and certified according to EN 1253
- Fire tested and certified solution available for classes EI 90 – EI 180 (EN 13 501-2)
- Wide range of gratings for load class L 15, R 50, M 125 or N 250 (EN 1253) including slip resistant solution
- Adjustable EasyFix levelling feet



Order information

| Description | Top size [mm] | Outlet diameter ø [mm] | Foul air trap | Flow rate | Material | Item number |
|--|------------------|------------------------------|---------------|-----------------------------|----------|----------------|
| | | | | EN-1253-1 / Direct [l/s] | | |
|  extended foul air trap | 300 x 300 | 110 | Without FAT | N/A | 1.4301 | 446849 |
| | | | | | 1.4404 | 446851 |
| | | | With FAT | 6.5 / 9.5 | 1.4301 | 446848 |
| | | | | | 1.4404 | 446850 |

| Description | Top size [mm] | Outlet diameter ø [mm] | Foul air trap | Flow rate EN-1253-1 / Direct [l/s] | Material | Item number |
|--|------------------|------------------------------|---------------|--|----------|----------------|
| | | | | | | |
|  | 300 x 300 | 110 | With FAT | 6.5 / 4.8 | 1.4301 | 446941 |
| | | | | | 1.4404 | 446942 |
|  | 300 x 300 | 160 | With FAT | 6.5 / 4.8 | 1.4301 | 446943 |
| | | | | | 1.4404 | 446944 |

1

ACO hygienic gully 218 fixed height, vertical outlet - round top

Product information

Fixed height gully can be specified as a point drainage in areas where waterproofing is independent of

the gully body. Those gullies can be combined with different grates depending on requested load class.

Product benefits

- Hygienic design following EN 1672, EN ISO 14159 and EHEDG document No. 8, 13 and 44
- Fully pickled and passivated
- Fully removable and easily cleanable stainless steel foul air trap (FAT)
- Protective cover available. See page 264 for more details
- Tested and certified according to EN 1253
- Fire tested and certified solution available for classes EI 90 – EI 180 (EN 13 501-2)
- Wide range of gratings for load class L 15, R 50, M 125 or N 250 (EN 1253) including slip resistant solution
- Adjustable EasyFix levelling feet



Order information

| | Top diameter | Outlet diameter | Foul air trap | Flow rate | Material | Item number |
|--|--------------|-----------------|---------------|--------------------------|----------|-------------|
| | [mm] | ø [mm] | | EN-1253-1 / Direct [l/s] | | |
| | 300 | 110 | Without FAT | N/A | 1.4301 | 446752 |
| | | | | | 1.4404 | 446758 |
| | | | With FAT | 4.8 / 5.5 | 1.4301 | 446753 |
| | | | | | 1.4404 | 446759 |
| | 300 | 160 | Without FAT | N/A | 1.4301 | 446754 |
| | | | | | 1.4404 | 446760 |
| | | | With FAT | 5.0 / 5.5 | 1.4301 | 446755 |
| | | | | | 1.4404 | 446761 |

ACO hygienic gully 218 fixed height, horizontal outlet - square top

Product information

Fixed height gully can be specified as a point drainage in areas where waterproofing is independent of

the gully body. Those gullies can be combined with different grates depending on requested load class.

Product benefits

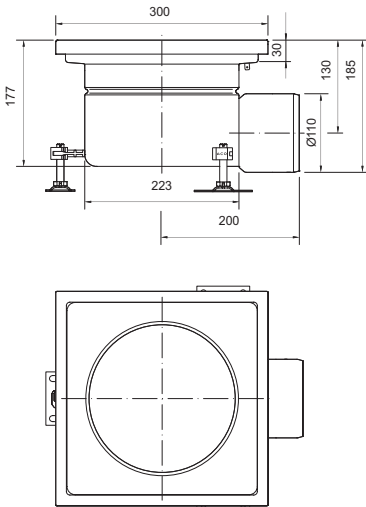
- Hygienic design following EN 1672, EN ISO 14159 and EHEDG document No. 8, 13 and 44
- Fully pickled and passivated
- Fully removable and easily cleanable stainless steel foul air trap (FAT)
- Protective cover available. See page 264 for more details
- Tested and certified according to EN 1253
- Wide range of gratings for load class L 15, R 50, M 125 or N 250 (EN 1253) including slip resistant solution
- Adjustable EasyFix levelling feet



Order information

| | Top size [mm] | Outlet diameter ø [mm] | Foul air trap | Flow rate EN-1253-1 / Direct [l/s] | Material | Item number |
|--|------------------|---------------------------|---------------|--|----------|-------------|
| | 300 x 300 | 110 | Without FAT | N/A | 1.4301 | 408012 |
| | | | | | 1.4404 | 408112 |
| | 300 x 300 | 110 | With FAT | 4,4 / 5 | 1.4301 | 408013 |
| | | | | | 1.4404 | 408113 |

ACO hygienic gully 218
 fixed height, horizontal outlet - square top

| | Top size [mm] | Outlet diameter ø [mm] | Foul air trap | Flow rate EN-1253-1 / Direct [l/s] | Material | Item number |
|---|---|------------------------------|---------------|--|----------|----------------|
|  | 300 x 300 with extended vertical edge and PUR infill | 110 | With FAT | 4,4 / 5 | 1.4301 | 445561 |

1

ACO hygienic gully 218 extended fixed height, horizontal outlet

Product information

Fixed height gully can be specified as a point drainage in areas where waterproofing is independent of

the gully body. Those gullies can be combined with different grates depending on requested load class.

Product benefits

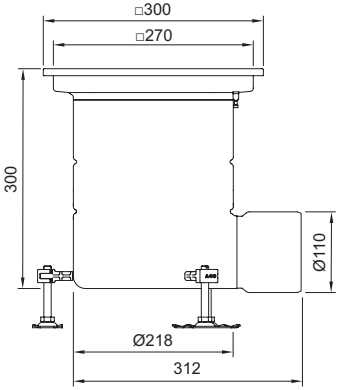
- Hygienic design following EN 1672, EN ISO 14159 and EHEDG document No. 8, 13 and 44
- Fully pickled and passivated
- Fully removable and easily cleanable stainless steel foul air trap (FAT)
- Protective cover available. See page 264 for more details
- Tested and certified according to EN 1253
- Wide range of gratings for load class L 15, R 50, M 125 or N 250 (EN 1253) including slip resistant solution
- Adjustable EasyFix levelling feet



Order information

| Description | Top size [mm] | Outlet diameter ø [mm] | Foul air trap | Flow rate EN-1253-1 / Direct [l/s] | Material | Item number | |
|----------------------|------------------|------------------------------|---------------------------|--|-----------|----------------|--------|
| | | | | | | | |
| Standard edge | | | | | | | |
| | 300 x 300 | 110 | Without FAT | N/A | 1.4301 | 447664 | |
| | | | | | 1.4404 | 447666 | |
| | | | extended foul air trap | With FAT | 6.5 / 8.8 | 1.4301 | 447663 |
| | | | | | | 1.4404 | 447665 |

ACO hygienic gully 218
 extended fixed height, horizontal outlet

| Description | Top size [mm] | Outlet | Foul air trap | Flow rate | Material | Item number |
|--|------------------|--------------------|---------------|-----------------------------|----------|----------------|
| | | diameter ø [mm] | | EN-1253-1 / Direct [l/s] | | |
|  <p>waste filter basket</p> | 300 x 300 | 110 | With FAT | 1.4301 | 446939 | |
| | | | | 6.5 / 8.8 | 1.4404 | 446940 |

1

ACO hygienic gully 218 fixed height, horizontal outlet - round top

Product information

Fixed height gully can be specified as a point drainage in areas where waterproofing is independent of

the gully body. Those gullies can be combined with different grates depending on requested load class.

Product benefits

- Hygienic design following EN 1672, EN ISO 14159 and EHEDG document No. 8, 13 and 44
- Fully pickled and passivated
- Fully removable and easily cleanable stainless steel foul air trap (FAT)
- Protective cover available. See page 264 for more details
- Tested and certified according to EN 1253
- Wide range of gratings for load class L 15, R 50, M 125 or N 250 (EN 1253) including slip resistant solution
- Adjustable EasyFix levelling feet



Order information

| | Top diameter [mm] | Outlet diameter ø [mm] | Foul air trap | Flow rate EN-1253-1 / Direct [l/s] | Material | Item number | |
|--|----------------------|---------------------------|---------------|--|----------|-------------|--------|
| | 300 | 110 | Without FAT | N/A | 1.4301 | 446756 | |
| | | | | | | 1.4404 | 446762 |
| | | | With FAT | 4.4 / 5 | 1.4301 | 446757 | |
| | | | | | 1.4404 | 446763 | |

ACO hygienic gully 218 telescopic, vertical outlet

Product information

Telescopic gully can be combined either with ACO gully top or ACO channel in most flooring constructions.

Telescopic solution enables height and rotational adjustment of connected gully top or channel.

Gullies are equipped with flanges for connection of waterproof membrane.

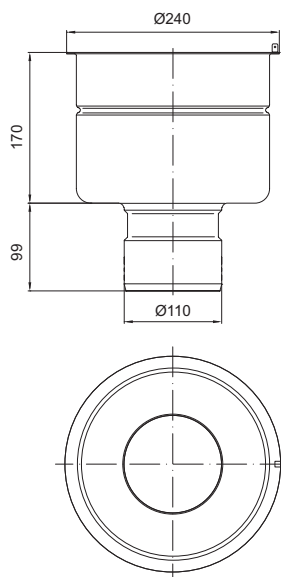
Product benefits

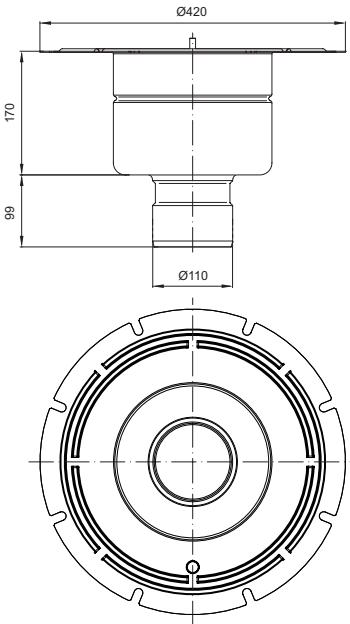
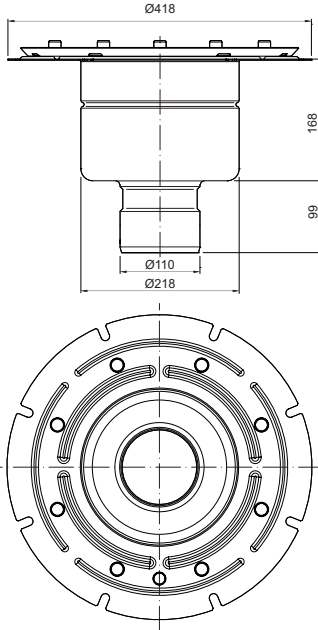
- Hygienic design following EN 1672, EN ISO 14159 and EHEDG document No. 8, 13 and 44
- Fully pickled and passivated
- Fully removable and easily cleanable stainless steel foul air trap (FAT)
- Tested and certified according to EN 1253
- Fire tested and certified solution available for classes EI 90 – EI 180 (EN 13 501-2)
- Suitable for all floor types including vinyl flooring
- Telescopic friction ring included

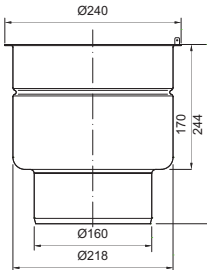
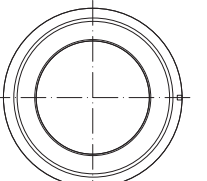
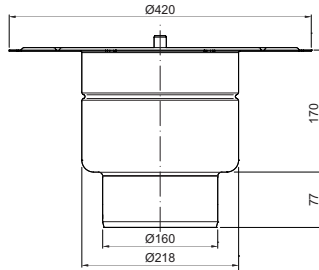
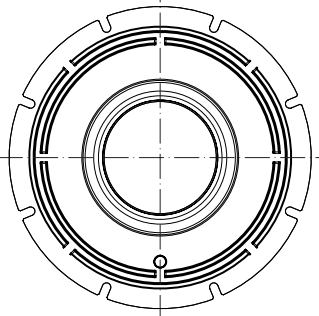
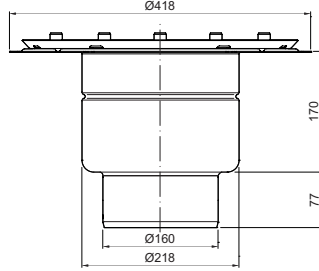
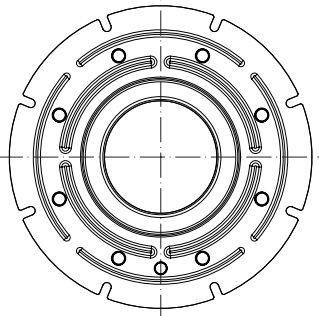


Order information

| Type of flange | Outlet diameter ø [mm] | Foul air trap | Flow rate EN-1253-1 / Direct [l/s] | Material | Item number |
|-----------------|---------------------------|---------------|--|----------|-------------|
| Location flange | 110 | Without FAT | N/A | 1.4301 | 408060 |
| | | | | 1.4404 | 408160 |
| | | With FAT | 5 - 6,2 / 5,5 | 1.4301 | 408061 |
| | | | | 1.4404 | 408161 |



| | Type of flange | Outlet diameter ø [mm] | Foul air trap | Flow rate EN-1253-1 / Direct [l/s] | Material | Item number | |
|--|----------------------------|---------------------------|---------------|--|----------|-------------|--------|
|  | Adhesive bonding flange | 110 | Without FAT | N/A | 1.4301 | 408062 | |
| | | | | | | 1.4404 | 408162 |
| | | | With FAT | 5 - 6,2 / 5,5 | 1.4301 | 408063 | |
| | | | | | 1.4404 | 408163 | |
|  | Mechanical clamping flange | 110 | Without FAT | N/A | 1.4301 | 408064 | |
| | | | | | | 1.4404 | 408164 |
| | | | With FAT | 5 - 6,2 / 5,5 | 1.4301 | 408065 | |
| | | | | | 1.4404 | 408165 | |

| | Type of flange | Outlet diameter ø [mm] | Foul air trap | Flow rate EN-1253-1 / Direct [l/s] | Material | Item number | |
|---|----------------------------|---------------------------|---------------|--|---|-------------|--------|
|  | Location flange | 160 | Without FAT | N/A | 1.4301 | 408066 | |
| | | | | | 1.4404 | 408166 | |
| | | | | |  | 1.4301 | 408067 |
| | | | | | | 1.4404 | 408167 |
|  | Adhesive bonding flange | 160 | Without FAT | N/A | 1.4301 | 408068 | |
| | | | | | 1.4404 | 408168 | |
| | | | | |  | 1.4301 | 408069 |
| | | | | | | 1.4404 | 408169 |
|  | Mechanical clamping flange | 160 | Without FAT | N/A | 1.4301 | 408070 | |
| | | | | | 1.4404 | 408170 | |
| | | | | |  | 1.4301 | 408071 |
| | | | | | | 1.4404 | 408171 |

ACO hygienic gully 218 telescopic, horizontal outlet

Product information

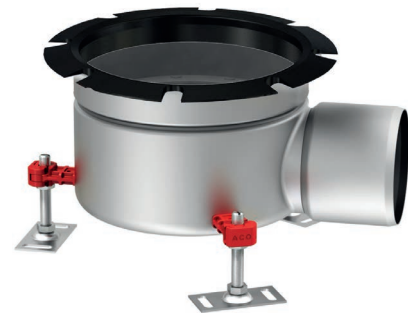
Telescopic gully can be combined either with gully top or ACO channel in most flooring constructions.

Telescopic solution enables height and rotational adjustment of connected gully top or channel.

Gullies are equipped with flanges for connection of waterproof membrane.

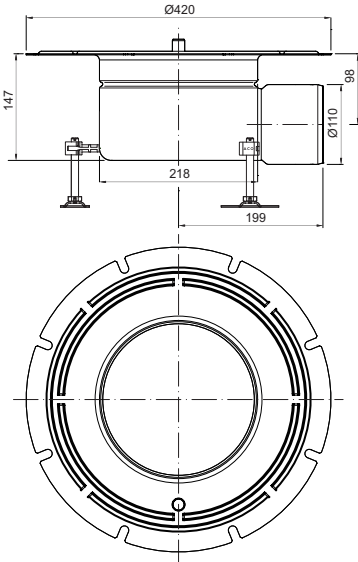
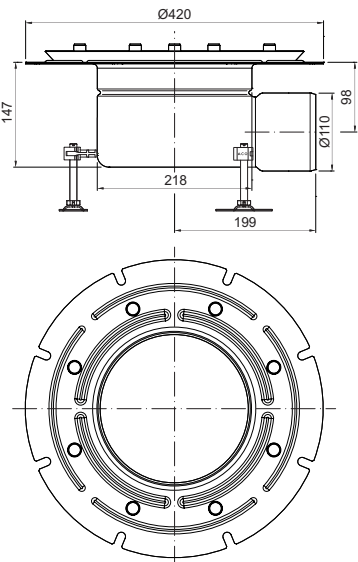
Product benefits

- Hygienic design following EN 1672, EN ISO 14159 and EHEDG document No. 8, 13 and 44
- Fully pickled and passivated
- Fully removable and easily cleanable stainless steel foul air trap (FAT)
- Tested and certified according to EN 1253
- Suitable for all floor types including vinyl flooring
- Telescopic friction ring included
- Adjustable EasyFix levelling feet



Order information

| | Type of flange | Outlet diameter ø [mm] | Foul air trap | Flow rate | Material | Item number |
|--|-----------------|---------------------------|---------------|-----------------------------|----------|-------------|
| | | | | EN-1253-1 / Direct [l/s] | | |
| | Location flange | 110 | Without FAT | N/A | 1.4301 | 408084 |
| | | | | | 1.4404 | 408184 |
| | | | With FAT | 4,4 - 5,4 / 5 | 1.4301 | 408085 |
| | | | | | 1.4404 | 408185 |

| Type of flange | Outlet diameter ø [mm] | Foul air trap | Flow rate EN-1253-1 / Direct [l/s] | Material | Item number | |
|--|---------------------------|---------------|--|----------|-------------|--------|
|  <p>Adhesive bonding flange</p> | 110 | Without FAT | N/A | 1.4301 | 408086 | |
| | | | | | 1.4404 | 408186 |
| | | With FAT | 4,4 - 5,4 / 5 | 1.4301 | 408087 | |
| | | | | 1.4404 | 408187 | |
|  <p>Mechanical clamping flange</p> | 110 | Without FAT | N/A | 1.4301 | 408088 | |
| | | | | | 1.4404 | 408188 |
| | | With FAT | 4,4 - 5,4 / 5 | 1.4301 | 408089 | |
| | | | | 1.4404 | 408189 | |

ACO hygienic gully 218 gully top, telescopic

Product information

Telescopic gully can be combined either with gully top or ACO channel in most flooring constructions.

Telescopic solution enables height and rotational adjustment of connected gully top or channel.

Gullies are equipped with flanges for connection of waterproof membrane.

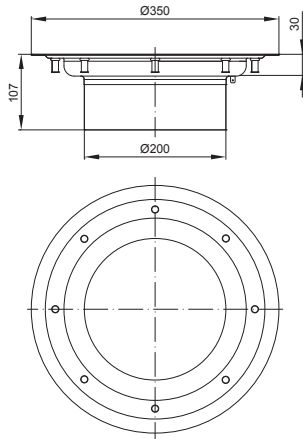
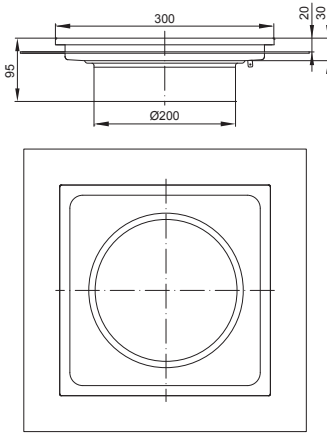
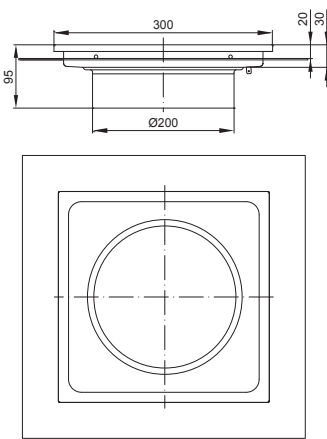
Product benefits

- Hygienic design following EN 1672, EN ISO 14159 and EHEDG document No. 8, 13 and 44
- Fully pickled and passivated
- Protective cover available. See page 264 for more details
- Tested and certified according to EN 1253
- Wide range of gratings for load class L 15, R 50, M 125 or N 250 (EN 1253) including slip resistant solution
- Adjustable EasyFix levelling feet



Order information

| | Gully Top type | Gully Top size [mm] | Material | Item number |
|--|----------------|---|----------|-------------|
| | Standard edge | 300 x 300 | 1.4301 | 408228 |
| | | | 1.4404 | 408238 |
| | Standard edge | 300 x 300 with extended vertical edge | 1.4301 | 446402 |

| Gully Top type | Gully Top size [mm] | Material | Item number | |
|---|-----------------------------------|-----------|-------------|---------|
|  | Vinyl edge | ø350 | 1.4301 | 408242* |
| | | | 1.4404 | 408252* |
|  | Extended edge | 300 x 300 | 1.4301 | 408243 |
| | | | 1.4404 | 408253 |
|  | Extended edge with drainage holes | 300 x 300 | 1.4301 | 408247 |
| | | | 1.4404 | 408257 |

* Hygienic design following EN 1672, EN ISO 14159 and EHEDG document No. 8, 13, 44 not applied.

ACO hygienic gully 218 gully top, telescopic, round top

Product information

Gully top can be combined with telescopic gully. Different gully top type is available depending on floor structure.

Product benefits

- Hygienic design following EN 1672, EN ISO 14159 and EHEDG document No. 8, 13 and 44
- Fully pickled and passivated
- Protective cover available. See page 264 for more details
- Tested and certified according to EN 1253
- Wide range of gratings including slip resistant solution
- Adjustable EasyFix levelling feet



Order information

| | Gully top type | Gully top size ø [mm] | Material | Item number |
|--|----------------|--------------------------|----------|-------------|
| | Standard edge | 300 | 1.4301 | 446764 |
| | | | 1.4404 | 446765 |

ACO hygienic gully 218 raising piece, telescopic

Product information

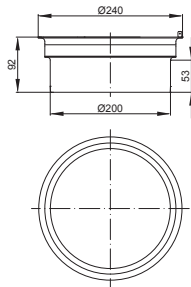
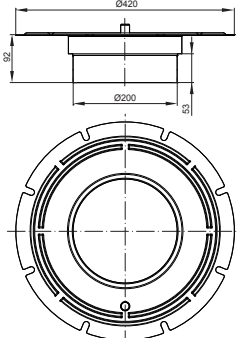
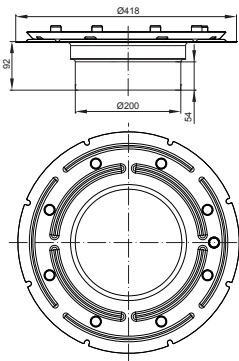
Raising piece can be used for floor structures where multiple waterproofing is needed

(heat insulation) or where construction height of the slab needs to be increased.

Product benefits

- Hygienic design following EN 1672, EN ISO 14159 and EHEDG document No. 8, 13 and 44
- Fully pickled and passivated
- Tested and certified according to EN 1253
- Suitable for all floor types including vinyl flooring
- Variety of flanges for membranes
- Telescopic friction ring included



| Type of flange | Material | Item number |
|---|----------|-------------|
|  <p>Location flange</p> | 1.4301 | 408209 |
| | 1.4404 | 408219 |
|  <p>Adhesive bonding flange</p> | 1.4301 | 408226 |
| | 1.4404 | 408236 |
|  <p>Mechanical clamping flange</p> | 1.4301 | 408227 |
| | 1.4404 | 408237 |

ACO gully EG150 telescopic, vertical outlet

Product information

ACO gully EG150 can be combined with ACO channel with outlet diameter 110 mm.

Foul air trap needs to be ordered separately.

Product benefits

- Stainless steel construction for durability and long life



Order information

| | FAT | Material | Item number |
|--|-------------|----------|-------------|
| | Without FAT | 1.4301 | 405066* |
| | | 1.4404 | 402663* |
| | Without FAT | 1.4301 | 408805* |
| | | 1.4404 | 405312* |

* Hygienic design following EN 1672, EN ISO 14159 and EHEDG document No. 8, 13, 44 not applied.

ACO gully EG150 telescopic, horizontal outlet

Product information

ACO gully EG150 can be combined with ACO channel with outlet diameter 110 mm.

Foul air trap needs to be ordered separately.

Product benefits

- Stainless steel construction for durability and long life



Order information

| | FAT | Material | Item number |
|--|-------------|----------|-------------|
|  | | 1.4301 | 406677* |
| | Without FAT | 1.4404 | 405311* |

* Hygienic design following EN 1672, EN ISO 14159 and EHEDG document No. 8, 13, 44 not applied.

Gratings for gully top 200x200

Product information

Variety of grate types is available depending on application and requested load class.

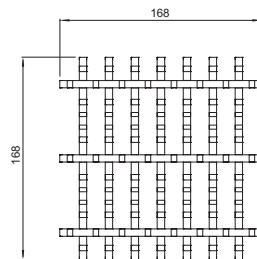
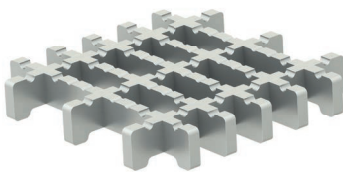
For applications with high hygienic demands ladder grate or cast grate should be selected.

Product benefits

- Hygienic design following EN 1672, EN ISO 14159 and EHEDG document No. 8, 13 and 44
- Fully pickled and passivated
- Fits to stainless steel gully, fully compliant to EN 1253 and NSF International
- Range of gratings suitable to load class L 15, R 50, M 125 or N 250 (EN 1253)
- Slip resistant solution available

Order information

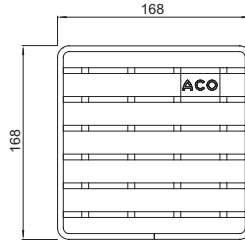
ACO hygienic frameless ladder grating



| Load class | Slip resistant | Material | Item number |
|------------|----------------|----------|-------------|
| M 125 | Yes | 1.4301 | 446264 |
| | | 1.4404 | 446265 |

Note: Surface electropolished

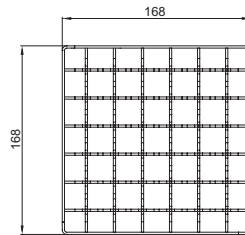
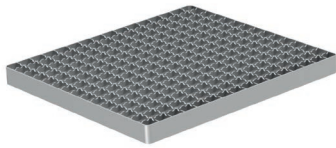
ACO hygienic ladder grating



| Load class | Slip resistant | Material | Item number |
|------------|----------------|----------|-------------|
| R 50 | Yes | 1.4301 | 416912 |
| | | 1.4404 | 416913 |
| M 125 | Yes | 1.4301 | 408093 |
| | | 1.4404 | 408193 |
| N 250 | No | 1.4301 | 408043 |
| | | 1.4404 | 408143 |

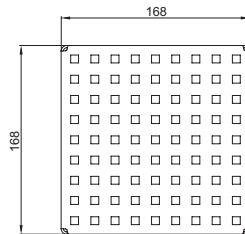
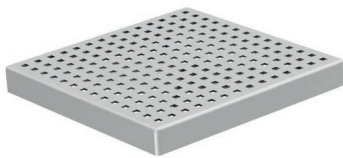
Note: Surface electropolished

ACO mesh grating



| Load class | Slip resistant | Material | Item number |
|------------|----------------|----------|-------------|
| L 15 | Yes | 1.4301 | 408090* |
| | | 1.4404 | 408190* |
| | No | 1.4301 | 408091* |
| | | 1.4404 | 408191* |

ACO quadrato grating



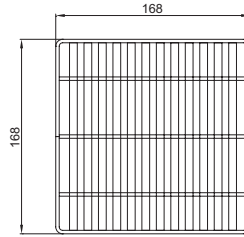
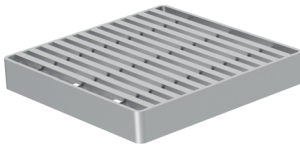
| Load class | Slip resistant | Material | Item number |
|------------|----------------|----------|-------------|
| L 15 | No | 1.4301 | 408092* |
| | | 1.4404 | 408192* |

* Hygienic design following EN 1672, EN ISO 14159 and EHEDG document No. 8, 13, 44 not applied.

ACO hygienic gully 142 – fixed height → Page 15, 18
ACO hygienic gully 142 – gully top, telescopic → Page 27

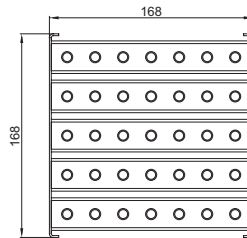
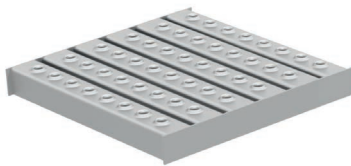
ACO hygienic gully 157 – fixed height → Page 31, 36
ACO hygienic gully 157 – gully top - telescopic → Page 47

ACO heelsafe grating



| Load class | Slip resistant | Material | Item number |
|------------|----------------|----------|-------------|
| L 15 | No | 1.4301 | 408022* |
| | | 1.4404 | 408122* |

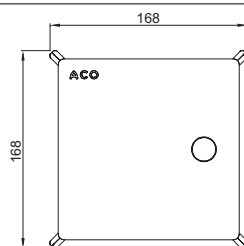
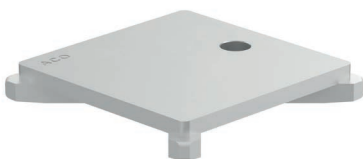
ACO multi-slot 5 grating



| Load class | Slip resistant | Material | Item number |
|------------|----------------|----------|-------------|
| L 15 | Yes | 1.4301 | 408094* |
| | | 1.4404 | 408194* |

Note: Surface electropolished

ACO hygienic slot cover



| | | | |
|-------|-----|--------|--------|
| R 50 | Yes | 1.4301 | 445780 |
| | | 1.4404 | 445781 |
| M 125 | Yes | 1.4301 | 445782 |
| | | 1.4404 | 445783 |

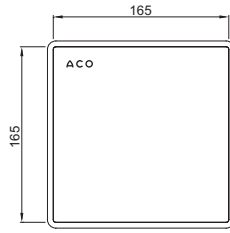
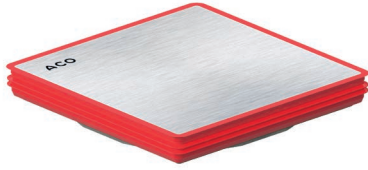
Note: Top surface sandblasted

ACO odour proof gully cover

* Hygienic design following EN 1672, EN ISO 14159 and EHEDG document No. 8, 13, 44 not applied.

ACO hygienic gully 142 – fixed height → Page 15, 18
ACO hygienic gully 142 – gully top, telescopic → Page 27

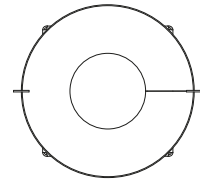
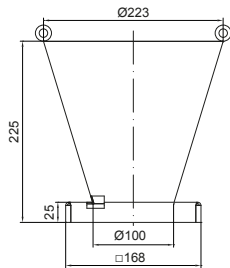
ACO hygienic gully 157 – fixed height → Page 31, 36
ACO hygienic gully 157 – gully top - telescopic → Page 47



| Load class | Slip resistant | Material | Item number |
|------------|----------------|----------|-------------|
| R 50 | No | 1.4404 | 445398* |
| M 125 | No | 1.4404 | 445605* |

For ACO vacuum handle, please go to page 91

ACO tundish for gully top



| Description | Material | Item number |
|-------------------------------------|----------|-------------|
| ACO tundish for gully top 200 x 200 | 1.4301 | 415918 |

* Hygienic design following EN 1672, EN ISO 14159 and EHEDG document No. 8, 13, 44 not applied.

ACO hygienic gully 142 – fixed height → Page 15, 18
ACO hygienic gully 142 – gully top, telescopic → Page 27

ACO hygienic gully 157 – fixed height → Page 31, 36
ACO hygienic gully 157 – gully top - telescopic → Page 47
ACO modular slot channel 20 → Page 183

Gratings for gully top ø 230 mm

Product information

Variety of grate types is available depending on application and requested load class.

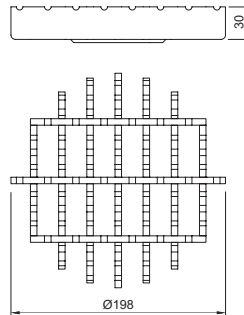
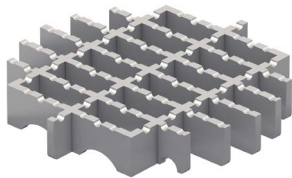
For applications with high hygienic demands ladder grate or cast grate should be selected.

Product benefits

- Hygienic design following EN 1672, EN ISO 14159 and EHEDG document No. 8, 13 and 44
- Fully pickled and passivated
- Fits to stainless steel gully, fully compliant to EN 1253 and NSF International
- Range of gratings suitable to load class R 50 and M 125 (EN 1253)
- Slip resistant solution available

Order information

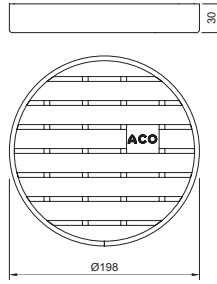
ACO hygienic frameless ladder grating - round



| Load class | Slip resistant | Material | Item number |
|------------|----------------|----------|-------------|
| R 50 | Yes | 1.4301 | 446780 |
| | | 1.4404 | 446781 |
| M 125 | Yes | 1.4301 | 446784 |
| | | 1.4404 | 446785 |

Note: Surface electropolished

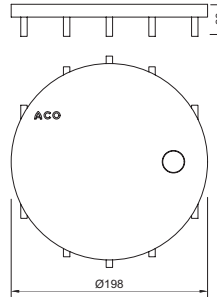
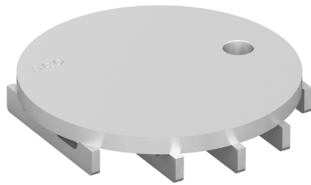
ACO hygienic ladder grating - round



| Load class | Slip resistant | Material | Item number |
|------------|----------------|----------|-------------|
| R 50 | Yes | 1.4301 | 447761 |
| | | 1.4404 | 447762 |
| M 125 | Yes | 1.4301 | 446776 |
| | | 1.4404 | 446777 |

Note: Surface electropolished

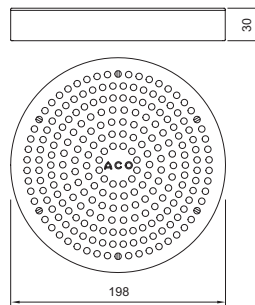
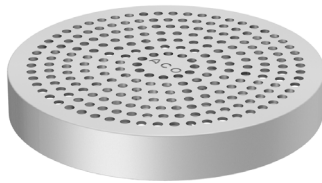
ACO hygienic slot cover - round



| Load class | Slip resistant | Material | Item number |
|------------|----------------|----------|-------------|
| M 125 | Yes | 1.4301 | 446788 |
| | | 1.4404 | 446789 |

Note: Top surface sandblasted

ACO perforated grating - round



| Load class | Slip resistant | Material | Item number |
|------------|----------------|----------|-------------|
| L 15 | No | 1.4301 | 447728 |
| | | 1.4404 | 447736 |

Note: Surface electropolished

Gratings for gully top 250x250

Product information

Variety of grate types is available depending on application and requested load class

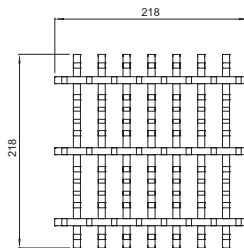
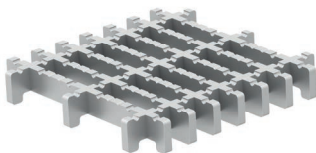
For applications with high hygienic demands ladder grate or cast grate should be selected.

Product benefits

- Hygienic design following EN 1672, EN ISO 14159 and EHEDG document No. 8, 13 and 44
- Fully pickled and passivated
- Fits to stainless steel gully, fully compliant to EN 1253 and NSF International
- Range of gratings suitable to load class L 15, R 50, M 125 or N 250 (EN 1253)
- Slip resistant solution available

Order information

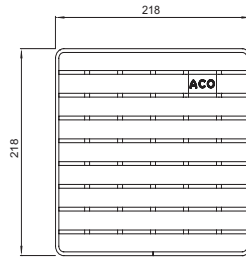
ACO hygienic frameless ladder grating



| Load class | Slip resistant | Material | Item number |
|------------|----------------|----------|-------------|
| M 125 | Yes | 1.4301 | 446268 |
| | | 1.4404 | 446269 |

Note: Surface electropolished

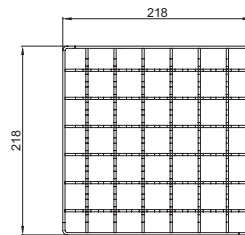
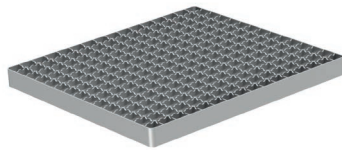
ACO hygienic ladder grating



| Load class | Slip resistant | Material | Item number |
|------------|----------------|----------|-------------|
| R 50 | Yes | 1.4301 | 416914 |
| | | 1.4404 | 416915 |
| M 125 | Yes | 1.4301 | 408028 |
| | | 1.4404 | 408128 |
| N 250 | No | 1.4301 | 408044 |
| | | 1.4404 | 408144 |

Note: Surface electropolished

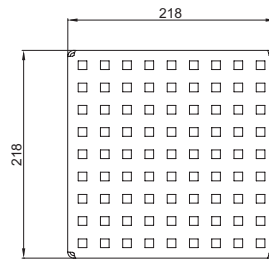
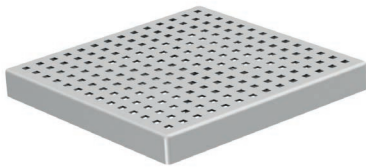
ACO mesh grating



| Load class | Slip resistant | Material | Item number |
|------------|----------------|----------|-------------|
| L 15 | Yes | 1.4301 | 408095* |
| | | 1.4404 | 408195* |
| | No | 1.4301 | 408096* |
| | | 1.4404 | 408196* |

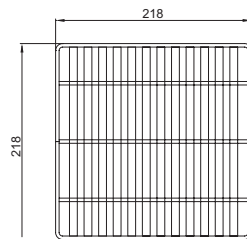
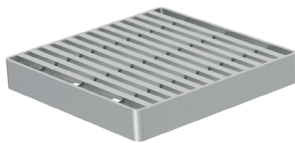
Note: Surface electropolished

ACO quadrato grating



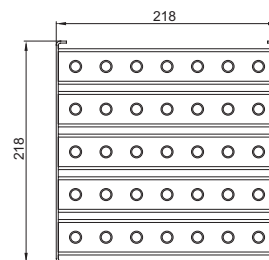
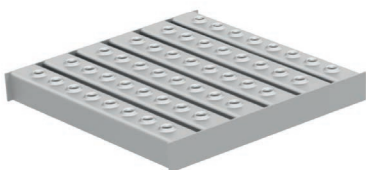
| Load class | Slip resistant | Material | Item number |
|------------|----------------|----------|-------------|
| L 15 | No | 1.4301 | 408097* |
| | | 1.4404 | 408197* |

ACO heelsafe grating



| Load class | Slip resistant | Material | Item number |
|------------|----------------|----------|-------------|
| L 15 | No | 1.4301 | 408031* |
| | | 1.4404 | 408131* |

ACO multi-slot 5 grating



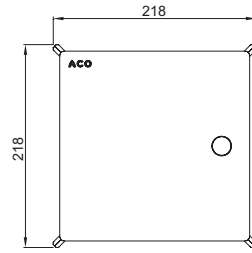
| Load class | Slip resistant | Material | Item number |
|------------|----------------|----------|-------------|
| L 15 | Yes | 1.4301 | 408033* |
| | | 1.4404 | 408133* |

Note: Surface electropolished

* Hygienic design following EN 1672, EN ISO 14159 and EHEDG document No. 8, 13, 44 not applied.

ACO hygienic gully 157 – fixed height → Page 31, 36
ACO hygienic gully 157 – gully top, telescopic → Page 47

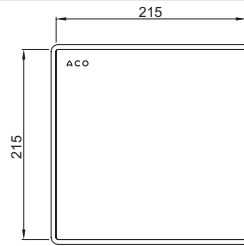
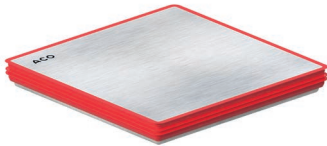
ACO hygienic slot cover



| Load class | Slip resistant | Material | Item number |
|------------|----------------|----------|-------------|
| R 50 | Yes | 1.4301 | 445784 |
| | | 1.4404 | 445785 |
| M 125 | Yes | 1.4301 | 445786 |
| | | 1.4404 | 445787 |

Note: Top surface sandblasted

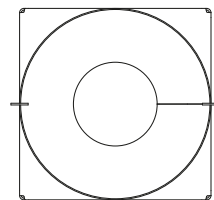
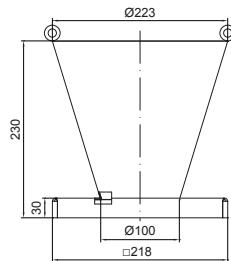
ACO odour proof gully cover



| Load class | Slip resistant | Material | Item number |
|------------|----------------|----------|-------------|
| R 50 | No | 1.4404 | 445399* |
| M 125 | No | 1.4404 | 445607* |

For ACO vacuum handle, please go to page 92

ACO tundish for gully top



| Description | Material | Item number |
|-------------------------------------|----------|-------------|
| ACO tundish for gully top 250 x 250 | 1.4301 | 413546 |

* Hygienic design following EN 1672, EN ISO 14159 and EHEDG document No. 8, 13, 44 not applied.

ACO hygienic gully 157 – fixed height → Page 31, 36
ACO hygienic gully 157 – gully top, telescopic → Page 47

Gratings for gully top 300x300

Product information

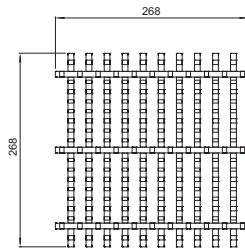
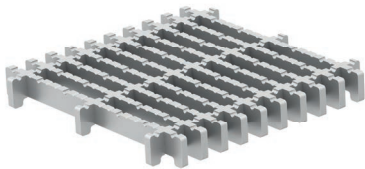
Variety of grate types is available depending on application and requested load class.

For applications with high hygienic demands ladder grate or cast grate should be selected.

Product benefits

- Hygienic design following EN 1672, EN ISO 14159 and EHEDG document No. 8, 13 and 44
- Fully pickled and passivated
- Fits to stainless steel gully, fully compliant to EN 1253 and NSF International
- Range of gratings suitable to load class L 15, R 50, M 125 or N 250 (EN 1253)
- Slip resistant solution available

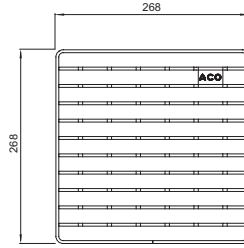
ACO hygienic frameless ladder grating



| Load class | Slip resistant | Material | Item number |
|------------|----------------|----------|-------------|
| M 125 | Yes | 1.4301 | 446272 |
| | | 1.4404 | 446273 |

Note: Surface electropolished

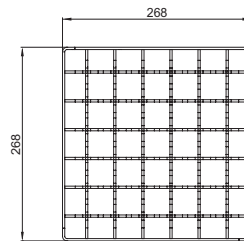
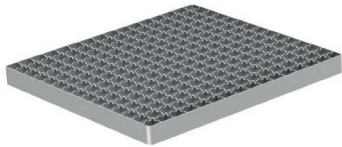
ACO hygienic ladder grating



| Load class | Slip resistant | Material | Item number |
|------------|----------------|----------|-------------|
| R 50 | Yes | 1.4301 | 416916 |
| | | 1.4404 | 416917 |
| M 125 | Yes | 1.4301 | 408037 |
| | | 1.4404 | 408137 |
| N 250 | No | 1.4301 | 408045 |
| | | 1.4404 | 408145 |

Note: Surface electropolished

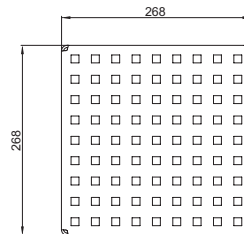
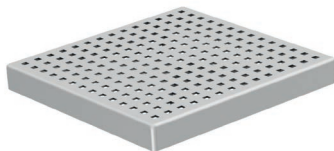
ACO mesh grating



| Load class | Slip resistant | Material | Item number |
|------------|----------------|----------|-------------|
| L 15 | Yes | 1.4301 | 408034 |
| | | 1.4404 | 408134 |
| | No | 1.4301 | 408035* |
| | | 1.4404 | 408135* |

Note: Surface electropolished

ACO quadrato grating

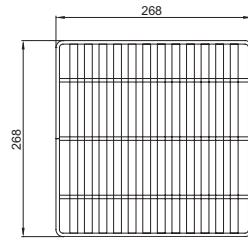
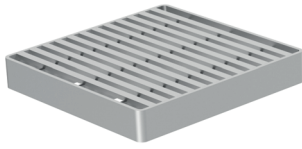


| Load class | Slip resistant | Material | Item number |
|------------|----------------|----------|-------------|
| L 15 | No | 1.4301 | 408036* |
| | | 1.4404 | 408136* |

* Hygienic design following EN 1672, EN ISO 14159 and EHEDG document No. 8, 13, 44 not applied.

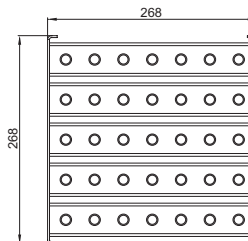
ACO hygienic gully 218 – fixed height → Page 53, 59
ACO hygienic gully 218 – gully top, telescopic → Page 69

ACO heelsafe grating



| Load class | Slip resistant | Material | Item number |
|------------|----------------|----------|-------------|
| L 15 | No | 1.4301 | 408040* |
| | | 1.4404 | 408140* |

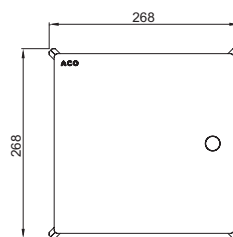
ACO multi-slot 5 grating



| Load class | Slip resistant | Material | Item number |
|------------|----------------|----------|-------------|
| L 15 | Yes | 1.4301 | 408042* |
| | | 1.4404 | 408142* |

Note: Surface electropolished

ACO hygienic slot cover



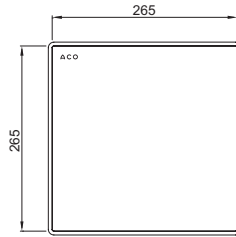
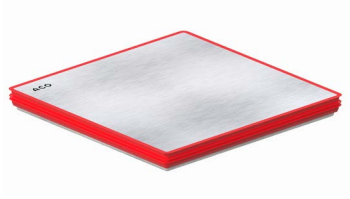
| Load class | Slip resistant | Material | Item number |
|------------|----------------|----------|-------------|
| R 50 | Yes | 1.4301 | 445788 |
| | | 1.4404 | 445789 |
| M 125 | Yes | 1.4301 | 445790 |
| | | 1.4404 | 445791 |

Note: Top surface sandblasted

* Hygienic design following EN 1672, EN ISO 14159 and EHEDG document No. 8, 13, 44 not applied.

ACO hygienic gully 218 – fixed height → Page 53, 59
ACO hygienic gully 218 – gully top, telescopic → Page 69

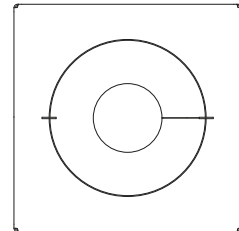
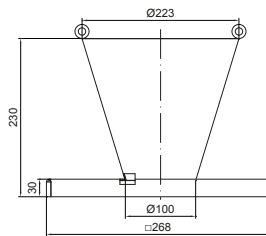
ACO odour proof gully cover



| Load class | Slip resistant | Material | Item number |
|------------|----------------|----------|-------------|
| R 50 | No | 1.4404 | 445400* |
| M 125 | No | 1.4404 | 445609* |

For ACO vacuum handle, please go to page 93

ACO tundish for gully top



| Description | Material | Item number |
|-------------------------------------|----------|-------------|
| ACO tundish for gully top 300 x 300 | 1.4301 | 413547 |

* Hygienic design following EN 1672, EN ISO 14159 and EHEDG document No. 8, 13, 44 not applied.

ACO hygienic gully 218 – fixed height → Page 53, 59
ACO hygienic gully 218 – gully top, telescopic → Page 69

Gratings for gully top ø 300 mm

Product information

Variety of grate types is available depending on application and requested load class.

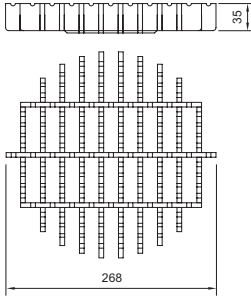
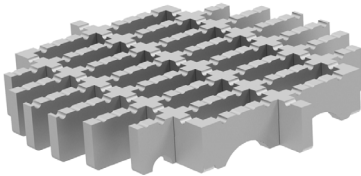
For applications with high hygienic demands ladder grate or cast grate should be selected.

Product benefits

- Hygienic design following EN 1672, EN ISO 14159 and EHEDG document No. 8, 13 and 44
- Fully pickled and passivated
- Fits to stainless steel gully, fully compliant to EN 1253 and NSF International
- Range of gratings suitable to load class R 50 and M 125 (EN 1253)
- Slip resistant solution available

Order information

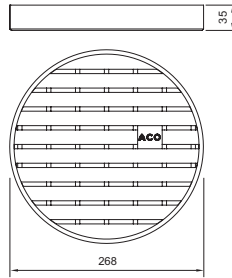
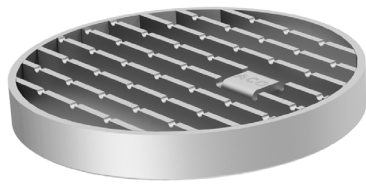
ACO hygienic frameless ladder grating - round



| Load class | Slip resistant | Material | Item number |
|------------|----------------|----------|-------------|
| R 50 | Yes | 1.4301 | 446782 |
| | | 1.4404 | 446783 |
| M 125 | Yes | 1.4301 | 446786 |
| | | 1.4404 | 446787 |

Note: Surface electropolished

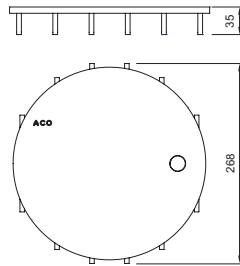
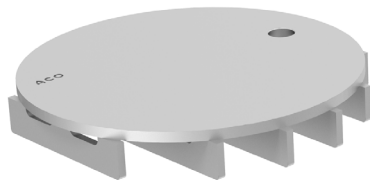
ACO hygienic ladder grating - round



| Load class | Slip resistant | Material | Item number |
|------------|----------------|----------|-------------|
| R 50 | Yes | 1.4301 | 447763 |
| | | 1.4404 | 447764 |
| M 125 | Yes | 1.4301 | 446778 |
| | | 1.4404 | 446779 |

Note: Surface electropolished

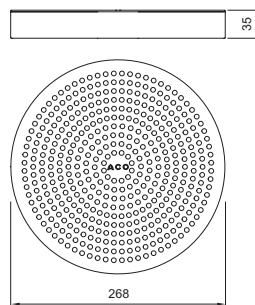
ACO hygienic slot cover - round



| Load class | Slip resistant | Material | Item number |
|------------|----------------|----------|-------------|
| M 125 | Yes | 1.4301 | 446790 |
| | | 1.4404 | 446791 |

Note: Top surface sandblasted

ACO perforated grating - round



| Load class | Slip resistant | Material | Item number |
|------------|----------------|----------|-------------|
| L 15 | No | 1.4301 | 447732 |
| | | 1.4404 | 447740 |

Note: Surface electropolished

Gratings for vinyl top ø170

Product information

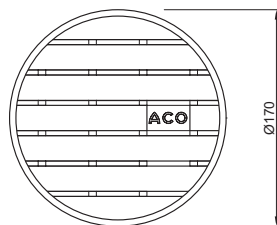
Variety of grate types is available depending on application and requested load class.

For applications with high hygienic demands ladder grate or cast grate should be selected.

Product benefits

- Hygienic design following EN 1672, EN ISO 14159 and EHEDG document No. 8, 13 and 44
- Fully pickled and passivated
- Fits to stainless steel gully, fully compliant to EN 1253
- Stainless steel construction for durability and long life
- Range of gratings suitable to load class L 15 and M 125 (EN 1253)
- Slip resistant solution available

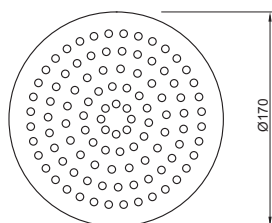
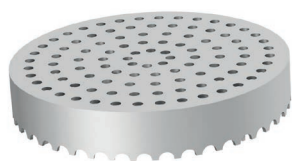
ACO ladder grating



| Load class | Slip resistant | Material | Item number |
|------------|----------------|----------|-------------|
| M 125 | Yes | 1.4301 | 97146 |
| | | 1.4404 | 97367 |

Note: Surface electropolished

ACO perforated grating



| Load class | Slip resistant | Material | Item number |
|------------|----------------|----------|-------------|
| L 15 | No | 1.4301 | 97152* |
| | | 1.4404 | 97369* |

ACO odour proof gully cover

For ACO odour proof gully cover, please contact our Sales/Technical department.

Gratings for vinyl top ø222

Product information

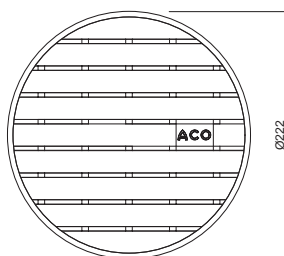
Variety of grate types is available depending on application and requested load class.

For applications with high hygienic demands ladder grate or cast grate should be selected.

Product benefits

- Hygienic design following EN 1672, EN ISO 14159 and EHEDG document No. 8, 13 and 44
- Fully pickled and passivated
- Fits to stainless steel gully, fully compliant to EN 1253
- Stainless steel construction for durability and long life
- Range of gratings suitable to load class L 15 and M 125 (EN 1253)
- Slip resistant solution available

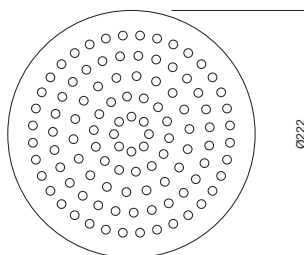
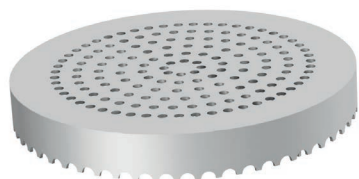
ACO ladder grating



| Load class | Slip resistant | Material | Item number |
|------------|----------------|----------|-------------|
| M 125 | Yes | 1.4301 | 97148 |
| | | 1.4404 | 97388 |

Note: Surface electropolished

ACO perforated grating



| Load class | Slip resistant | Material | Item number |
|------------|----------------|----------|-------------|
| L 15 | No | 1.4301 | 97153* |
| | | 1.4404 | 97390* |

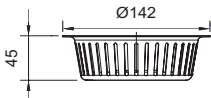
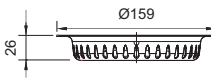
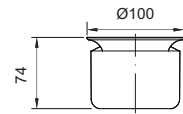
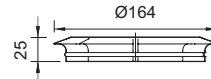
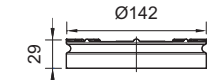
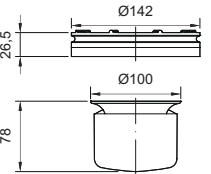
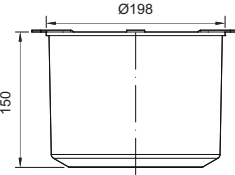
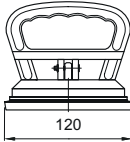
ACO odour proof gully cover

For ACO odour proof gully cover, please contact our Sales/Technical department.

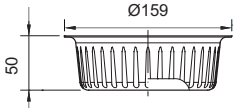
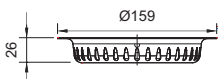
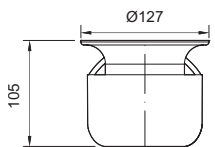
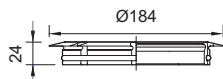
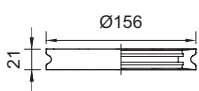
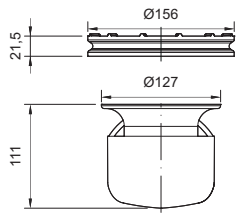
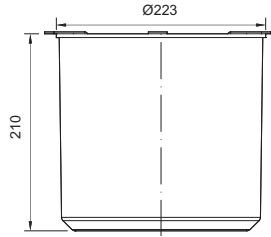
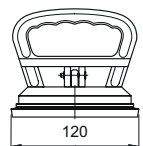


* Hygienic design following EN 1672, EN ISO 14159 and EHEDG document No. 8, 13, 44 not applied.

Accessories

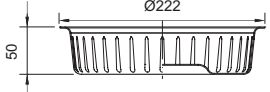
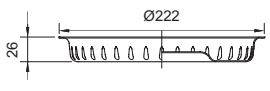
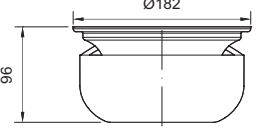

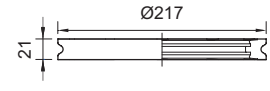
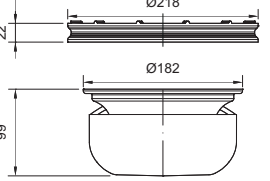
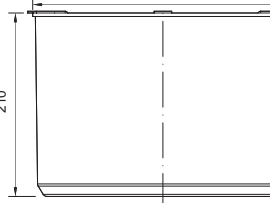
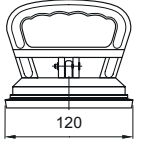
Accessories for ACO hygienic gully 142

| | Description | Used with | Material | Item number |
|---|---|--|--------------|-------------|
|  | ACO silt basket ■ Stainless steel ■ 0,4 litre capacity | ■ ACO hygienic gully 142, telescopic □ Vertical or horizontal | 1.4301 | 416900 |
| | | | 1.4404 | 416901 |
|  | ACO silt basket ■ Stainless steel ■ 0,3 litre capacity | ■ ACO hygienic gully 142, fixed height □ Vertical or horizontal | 1.4301 | 416906 |
| | | | 1.4404 | 416907 |
|  | ACO hygienic foul air trap ■ Stainless steel ■ Water seal 50 mml | ■ ACO hygienic gully 142 □ Fixed height □ Telescopic | 1.4301 | 414741 |
| | | | 1.4404 | 414841 |
|  | ACO friction ring ■ SBR (Styrene-butadiene rubber) | ■ ACO hygienic gully 142 □ Telescopic | SBR | 414742 |
|  | ACO standard foul air trap support ■ NBR (Acryl nitrile-butadiene rubber) | ■ ACO hygienic gully 142 □ Fixed height □ Telescopic | NBR | 414743 |
|  | ACO fire resistant kit for gully 142/DN 70 □ Fixed height, vertical □ Telescopic, vertical | ■ ACO hygienic gully 142 □ Fixed height, vertical □ Telescopic, vertical | 1.4404 / NBR | 416930 |
| | | | | |
|  | ACO fire resistant kit for gully 142/DN 100 □ Fixed height, vertical □ Telescopic, vertical | ■ ACO hygienic gully 142 □ Fixed height, vertical □ Telescopic, vertical | 1.4404 / NBR | 416931 |
|  | ACO vacuum handle | ■ ACO odour proof gully cover | Aluminium | 445622 |

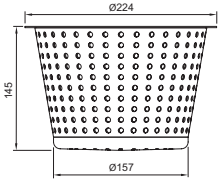
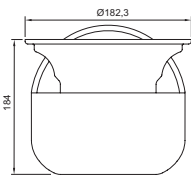
Accessories for ACO hygienic gully 157

| | Description | Used with | Material | Item number |
|---|---|--|--------------|-------------|
|  | ACO silt basket ■ Stainless steel ■ 0,4 litre capacity | ■ ACO hygienic gully 157, vertical <input type="checkbox"/> Fixed height or telescopic | 1.4301 | 416904 |
| | | | 1.4404 | 416905 |
|  | ACO silt basket ■ Stainless steel ■ 0,3 litre capacity | ■ ACO hygienic gully 157, horizontal <input type="checkbox"/> Fixed height or telescopic | 1.4301 | 416906 |
| | | | 1.4404 | 416907 |
|  | ACO hygienic foul air trap ■ Stainless steel ■ Water seal 50 mm | ■ ACO hygienic gully 157 <input type="checkbox"/> Telescopic | 1.4301 | 408200 |
| | | | 1.4404 | 408210 |
|  | ACO friction ring ■ SBR (Styrene-butadiene rubber) | ■ ACO hygienic gully 157 <input type="checkbox"/> Telescopic | SBR | 408205 |
|  | ACO standard foul air trap support ■ NBR (Acryl nitrile-butadiene rubber) | ■ ACO hygienic gully 157 <input type="checkbox"/> Fixed height <input type="checkbox"/> Telescopic | NBR | 408201 |
|  | ACO fire resistant kit for gully 157/DN 70 <input type="checkbox"/> Fixed height, vertical <input type="checkbox"/> Telescopic, vertical | ■ ACO hygienic gully 157 <input type="checkbox"/> Fixed height, vertical <input type="checkbox"/> Telescopic, vertical | 1.4404 / NBR | 416932 |
| | | | | |
|  | ACO fire resistant kit for gully 157/DN 100 <input type="checkbox"/> Fixed height, vertical <input type="checkbox"/> Telescopic, vertical | ■ ACO hygienic gully 157 <input type="checkbox"/> Fixed height, vertical <input type="checkbox"/> Telescopic, vertical | 1.4404 / NBR | 416933 |
|  | ACO vacuum handle | ■ ACO odour proof gully cover | Aluminium | 445622 |
|  | ACO Easy FAT | ■ ACO hygienic gully 157 <input type="checkbox"/> Telescopic, horizontal <input type="checkbox"/> Telescopic, vertical | 1.4301 | 448810 |
|  | ACO Easy FAT | ■ ACO hygienic gully 157 <input type="checkbox"/> Telescopic, horizontal <input type="checkbox"/> Telescopic, vertical | 1.4301 | 449096 |

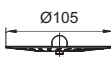
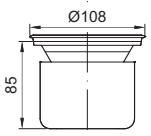
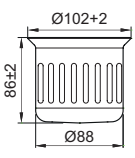
Accessories for ACO hygienic gully 218

| | Description | Used with | Material | Item number |
|---|---|--|--------------|-------------|
|  <p>50</p> <p>Ø222</p> | <p>ACO silt basket</p> <ul style="list-style-type: none"> ■ Stainless steel ■ 1,4 litre capacity | <ul style="list-style-type: none"> ■ ACO hygienic gully 218, vertical □ Fixed height or telescopic | 1.4301 | 416908 |
| | | | 1.4404 | 416909 |
|  <p>26</p> <p>Ø222</p> | <p>ACO silt basket</p> <ul style="list-style-type: none"> ■ Stainless steel ■ 0,7 litre capacity | <ul style="list-style-type: none"> ■ ACO hygienic gully 218, horizontal □ Fixed height or telescopic | 1.4301 | 416910 |
| | | | 1.4404 | 416911 |
|  <p>96</p> <p>Ø182</p> | <p>ACO hygienic foul air trap</p> <ul style="list-style-type: none"> ■ Stainless steel ■ Water seal 50 mm | <ul style="list-style-type: none"> ■ ACO hygienic gully 218 □ Fixed height □ Telescopic | 1.4301 | 408220 |
| | | | 1.4404 | 408230 |
|  <p>24</p> <p>Ø243</p> | <p>ACO friction ring</p> <ul style="list-style-type: none"> ■ SBR (Styrene-butadiene rubber) | <ul style="list-style-type: none"> ■ ACO hygienic gully 218 □ Telescopic | SBR | 408225 |
|  <p>21</p> <p>Ø217</p> | <p>ACO standard foul air trap support</p> <ul style="list-style-type: none"> ■ NBR (Acryl nitrile-butadiene rubber) | <ul style="list-style-type: none"> ■ ACO hygienic gully 218 □ Fixed height □ Telescopic | NBR | 408221 |
|  <p>22</p> <p>Ø218</p> <p>99</p> <p>Ø182</p> | <p>ACO fire resistant kit for gully 218/DN 110</p> <ul style="list-style-type: none"> □ Fixed height, vertical □ Telescopic, vertical | <ul style="list-style-type: none"> ■ ACO hygienic gully 218 □ Fixed height, vertical □ Telescopic, vertical | 1.4404 / NBR | 416934 |
| | | | 1.4404 / NBR | 416934 |
|  <p>210</p> <p>Ø298</p> | <p>ACO fire resistant kit for gully 218/DN 160</p> <ul style="list-style-type: none"> □ Fixed height, vertical □ Telescopic, vertical | <ul style="list-style-type: none"> ■ ACO hygienic gully 218 □ Fixed height, vertical □ Telescopic, vertical | 1.4404 / NBR | 416935 |
|  <p>120</p> | ACO vacuum handle | <ul style="list-style-type: none"> ■ ACO odour proof gully cover | Aluminium | 445622 |

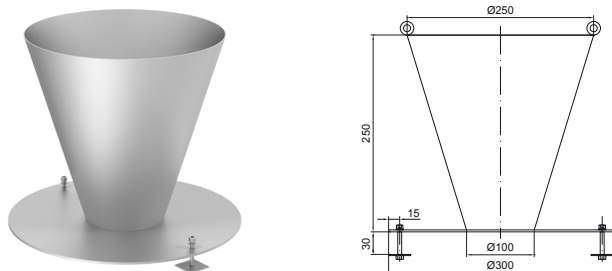
Accessories for ACO hygienic gully 218

| Description | Used with | Material | Item number |
|--|--|----------|-------------|
|  <p>ACO waste filter basket ■ Stainless steel</p> | <ul style="list-style-type: none"> ■ ACO hygienic gully 218 extended fixed height, waste filter basket □ Vertical or horizontal | 1.4301 | 446945 |
| | | 1.4404 | 446946 |
|  <p>ACO extended hygienic foul air trap ■ Stainless steel</p> | <ul style="list-style-type: none"> ■ ACO hygienic gully 218 extended fixed height, extended foul air trap □ Vertical or horizontal | 1.4301 | 447807 |
| | | 1.4404 | 447808 |

Accessories for ACO gully EG150

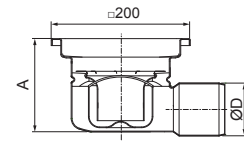
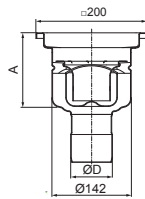
| Description | Used with | Material | Item number |
|---|--|----------|-------------|
|  <p>Sieve (for outlet 110 mm) ■ Stainless steel</p> | <ul style="list-style-type: none"> ■ ACO slot channel 20 ■ ACO modular box channel 125 ■ ACO modular box channel 200 ■ ACO modular slot channel 20 | 1.4301 | 97235 |
| | | 1.4404 | 97285 |
|  <p>Foul air trap ■ Stainless steel ■ Water seal 50 mm</p> | <ul style="list-style-type: none"> ■ ACO slot channel 20 ■ ACO modular box channel 125 ■ ACO modular box channel 200 ■ ACO modular slot channel 20 | 1.4301 | 97217 |
| | | 1.4404 | 97267 |
|  <p>Silt basket ■ Stainless steel</p> | <ul style="list-style-type: none"> ■ ACO slot channel 20 ■ ACO modular box channel 125 ■ ACO modular box channel 200 ■ ACO modular slot channel 20 ■ Don't combine with FAT ■ Suitable with P-Trap (ACO pipe chapter) | 1.4301 | 409190 |
| | | 1.4404 | 409189 |

ACO tundish portable

| Description | Material | Item number |
|---|----------|-------------|
|  <p>ACO tundish portable ■ Stainless steel</p> | 1.4301 | 415821 |

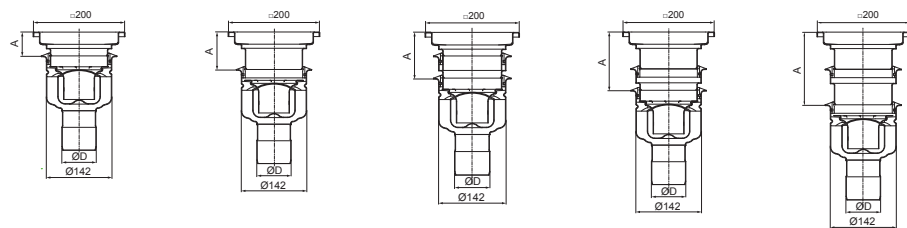
Flow rates and construction heights

ACO hygienic gully 142 – fixed height



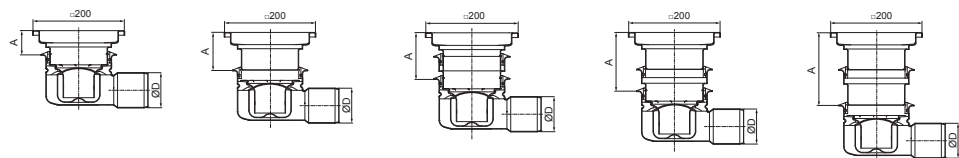
| Outlet diameter | Outlet position | Flow rate [l/s] | Outlet diameter | Outlet position | Flow rate [l/s] |
|-----------------|-----------------|-----------------|-----------------|-----------------|-----------------|
| ØD | | A = 135 [mm] | ØD | | A = 135 [mm] |
| 75 | Vertical | 1.4 | 75 | Horizontal | 1.4 |
| 110 | Vertical | 1.6 | 110 | Horizontal | 1.6 |

ACO hygienic gully 142 – telescopic, vertical



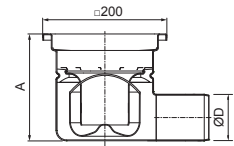
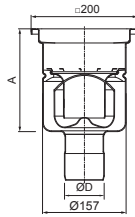
| Outlet diameter | Outlet position | Flow rate [l/s] | | | | |
|-----------------|-----------------|-----------------|-------------|-------------|--------------|--------------|
| | | A = 52 [mm] | A = 82 [mm] | A = 97 [mm] | A = 127 [mm] | A = 157 [mm] |
| 75 | Vertical | 1.4 | 1.6 | 1.6 | 1.7 | 1.8 |
| 110 | Vertical | 1.6 | 1.8 | 1.8 | 1.9 | 2.0 |

ACO hygienic gully 142 – telescopic, horizontal



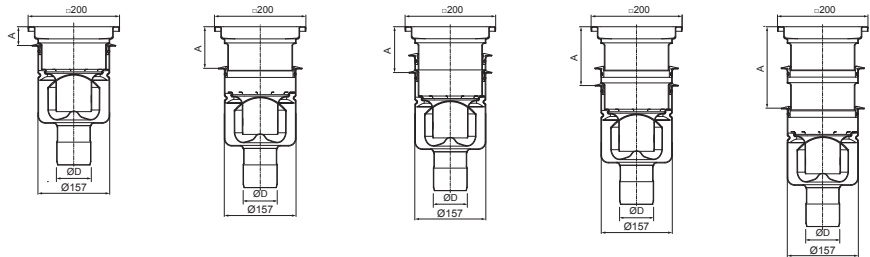
| Outlet diameter | Outlet position | Flow rate [l/s] | | | | |
|-----------------|-----------------|-----------------|-------------|-------------|--------------|--------------|
| | | A = 52 [mm] | A = 82 [mm] | A = 97 [mm] | A = 127 [mm] | A = 157 [mm] |
| 75 | Horizontal | 1.4 | 1.6 | 1.6 | 1.7 | 1.8 |
| 110 | Horizontal | 1.6 | 1.8 | 1.8 | 1.9 | 2.0 |

ACO hygienic gully 157 – fixed height



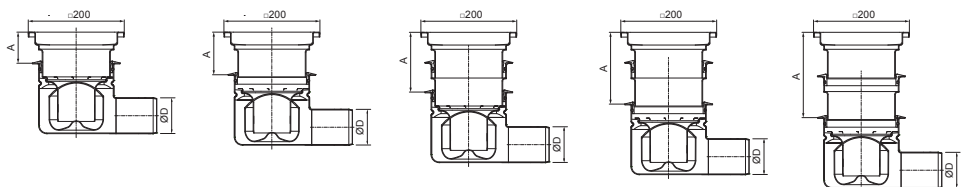
| Outlet diameter | Outlet position | Flow rate [l/s] | Outlet diameter | Outlet position | Flow rate [l/s] |
|-----------------|-----------------|-----------------|-----------------|-----------------|-----------------|
| $\varnothing D$ | | A = 193 [mm] | $\varnothing D$ | | A = 170 [mm] |
| 75 | Vertical | 2.7 | 75 | Horizontal | 2.6 |
| 110 | Vertical | 3.5 | 110 | Horizontal | 2.8 |

ACO hygienic gully 157 – telescopic, vertical



| Outlet diameter | Outlet position | Flow rate [l/s] | | | | |
|-----------------|-----------------|-----------------|-------------|--------------|--------------|--------------|
| | | A = 65 [mm] | A = 91 [mm] | A = 125 [mm] | A = 153 [mm] | A = 180 [mm] |
| 75 | Vertical | 2.7 | 3.0 | 3.0 | 3.1 | 3.3 |
| 110 | Vertical | 3.5 | 4.0 | 4.1 | 4.2 | 4.4 |

ACO hygienic gully 157 – telescopic, horizontal



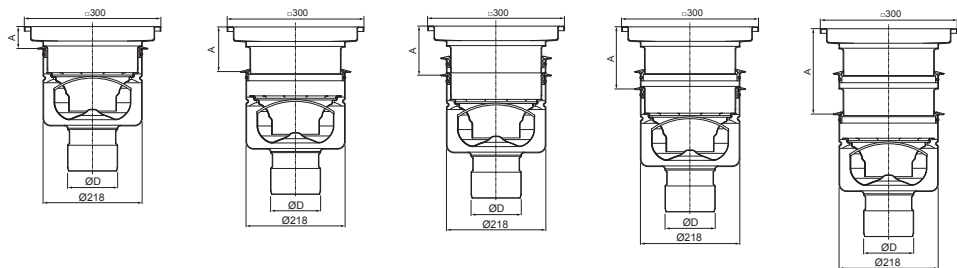
| Outlet diameter | Outlet position | Flow rate [l/s] | | | | |
|-----------------|-----------------|-----------------|-------------|-------------|--------------|--------------|
| | | A = 52 [mm] | A = 82 [mm] | A = 97 [mm] | A = 127 [mm] | A = 157 [mm] |
| 75 | Horizontal | 2.6 | 2.9 | 3.0 | 3.1 | 3.3 |
| 110 | Horizontal | 2.8 | 3.3 | 3.6 | 4.0 | 4.4 |

ACO hygienic gully 218 – fixed height



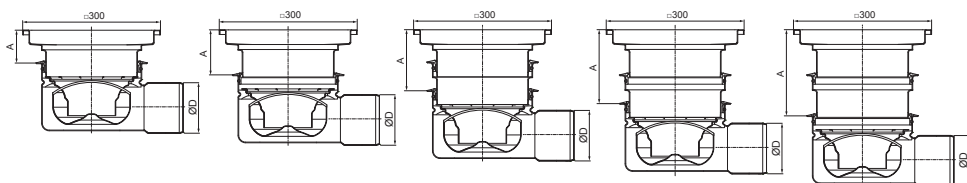
| Outlet diameter | Outlet position | Flow rate [l/s] | Outlet diameter | Outlet position | Flow rate [l/s] |
|-----------------|-----------------|-----------------|-----------------|-----------------|-----------------|
| $\varnothing D$ | | A = 200 [mm] | $\varnothing D$ | | A = 177 [mm] |
| 110 | Vertical | 5.0 | 110 | Horizontal | 4.4 |
| 160 | Vertical | 5.0 | - | - | - |

ACO hygienic gully 218– telescopic, vertical



| Outlet diameter | Outlet position | Flow rate [l/s] | | | | |
|-----------------|-----------------|-----------------|-------------|--------------|--------------|--------------|
| | | A = 65 [mm] | A = 91 [mm] | A = 125 [mm] | A = 153 [mm] | A = 180 [mm] |
| 110 | Vertical | 5.0 | 5.5 | 5.6 | 5.8 | 6.2 |
| 160 | Vertical | 5.0 | 5.5 | 5.6 | 5.8 | 6.2 |

ACO hygienic gully 218 – telescopic, horizontal



| Outlet diameter | Outlet position | Flow rate [l/s] | | | | |
|-----------------|-----------------|-----------------|-------------|--------------|--------------|--------------|
| | | A = 72 [mm] | A = 98 [mm] | A = 132 [mm] | A = 156 [mm] | A = 187 [mm] |
| 110 | Horizontal | 4.4 | 4.6 | 4.8 | 4.9 | 5.4 |



2

ACO
Channel



ACO Channel

| | | |
|--|---|-----|
| Introduction | Hygienic design | 102 |
| | System overview | 103 |
| | Introduction to ACO box channel | 104 |
| ACO box channels | ACO hygienic box channel, standard articles | 106 |
| | ACO commercial channel, standard articles | 110 |
| | ACO commercial channel, fixed height | 111 |
| | ACO mesh grating | 112 |
| | ACO hygienic ladder grating | 114 |
| | ACO frameless ladder grating | 118 |
| | ACO hygienic slot cover | 120 |
| | Accessories for ACO hygienic box channel | 122 |
| | ACO channel, ACO hygienic gully 142 | 123 |
| | ACO channel, ACO hygienic gully 157 | 124 |
| Flow rates and construction heights | ACO channel, ACO hygienic gully 218 | 125 |
| | ACO channel, ACO gully EG150 | 126 |



Discover more in a 3D environment:
buildingdrainage.aco/products

ACO channel
online information



Introduction

Hygienic design

ACO offers sustainable, integrated drainage systems which are designed to protect your business, the environment and ultimately public health.

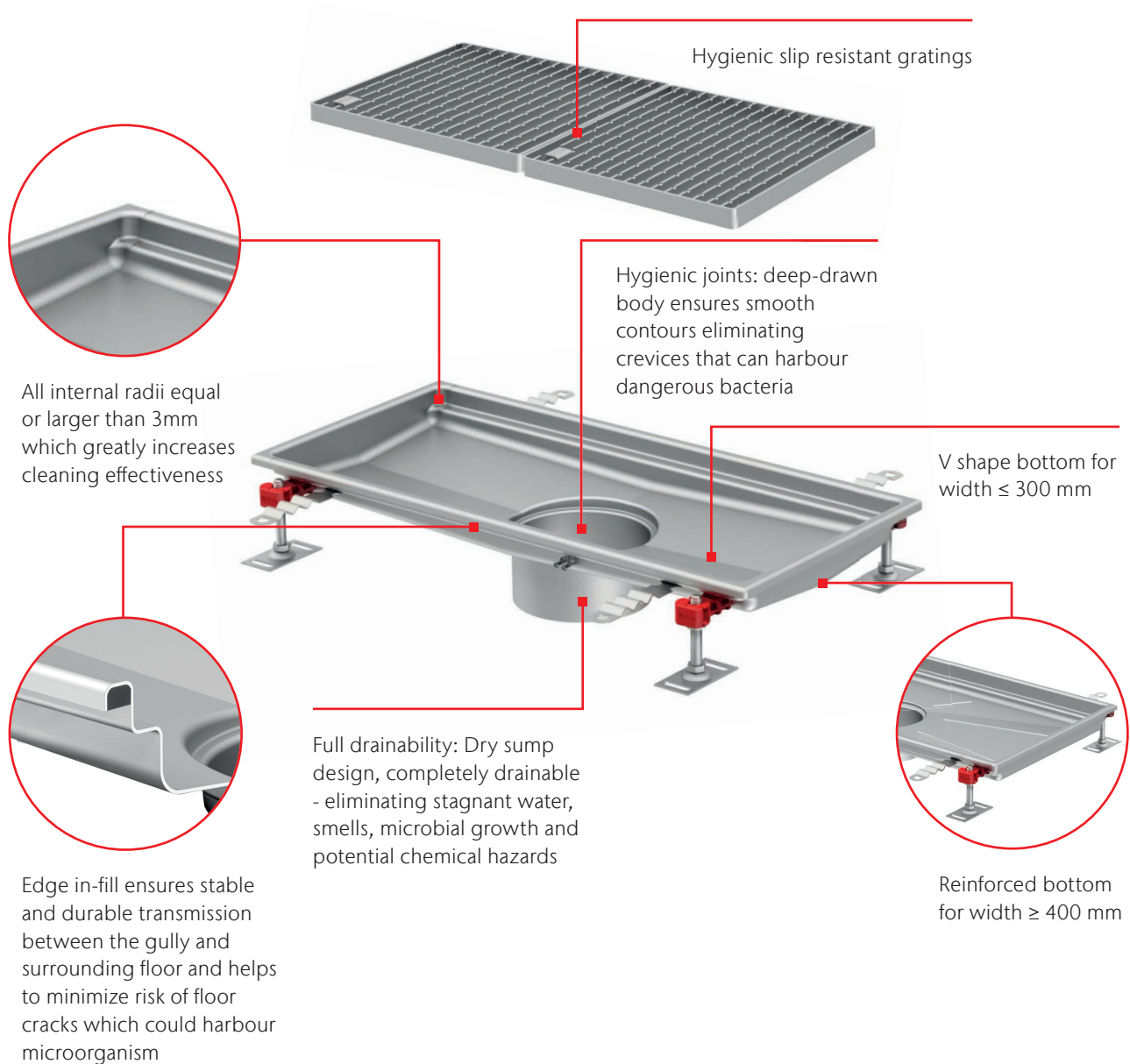
Our aim is to constantly improve every aspect of safety, hygiene and functional performance. We believe that our systems and services are truly unique, delivering unparalleled benefits to everyone involved in

project delivery or subsequent operation.

ACO hygienic drainage fulfils stringent hygienic requirements to prevent harmful bacterial contamination. We apply the relevant hygienic design principles reserved for food contact surfaces EN 1672, EN ISO 14159, EHEDG document to the channel design.

ACO channel hygienic features:

- Fully drainable
- Internal radii equal or larger than 3 mm
- Hygienic joints
- Edge infill
- Stainless steel grade min. AISI 304
- Fully pickled and passivated



Hygienic slip resistant gratings

Hygienic joints: deep-drawn body ensures smooth contours eliminating crevices that can harbour dangerous bacteria

V shape bottom for width \leq 300 mm

All internal radii equal or larger than 3mm which greatly increases cleaning effectiveness

Full drainability: Dry sump design, completely drainable - eliminating stagnant water, smells, microbial growth and potential chemical hazards

Reinforced bottom for width \geq 400 mm

Edge in-fill ensures stable and durable transmission between the gully and surrounding floor and helps to minimize risk of floor cracks which could harbour microorganism

System overview

ACO channel



ACO box channel



ACO fixed height channels

- 1** Gratings
- 2** Silt basket
- 3** Friction ring
- 4** Foul air trap
- 5** Foul air trap support
- 6** ACO gully



**ACO gully
with accessories**

Introduction to ACO box channel

ACO box channel portfolio

The ACO box channel range includes channels for all common applications and all common floor types (concrete, tiles, resin or vinyl).

The ACO box channel portfolio is designed with respect to hygienic design requirements. Selecting a channel from the range is easy. The unique variability of the whole portfolio makes it easy to choose a channel

that suits a customer's specific needs. Channel length, depth and outlet position are just a few of the parameters which can be varied and, regardless of the variations specified, there is no impact on delivery lead times.

ACO box channel ordering

The dimensions of the ACO box channel can be easily specified in respect of project requirements.

To specify the channel please ask ACO customer service for the assistance.

ACO box channels with fixed dimensions are also available. These dimensions are a selection of most frequently sold ACO box channels. Please see page 105 where you can find the overview.

ACO box channel customization

In addition all ACO box channels can be designed with:

- Special outlet position
- Special depth
- Special slope
- Special channel width
- L-shape and T-shape lay out
- Special side inlets

To ask for customised ACO box channel, please contact our Sales/technical department. Please take into consideration that ACO channel customization could decrease the number of hygienic design features.

ACO box channel system overview

ACO box channel, fixed height solution



**ACO box channel
Standard edge**



**ACO box channel
Extended edge**

ACO box channel, telescopic solution



**ACO box channel
Standard edge**



**ACO box channel
Extended edge**



**ACO hygienic gully
with accessories**

ACO hygienic box channel standard articles

Product information

The dimensions of the ACO hygienic box channel for concrete, tiles and resin floor can be easily specified in

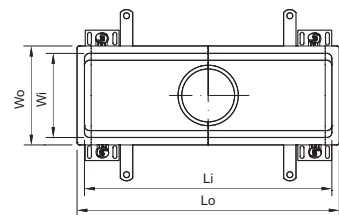
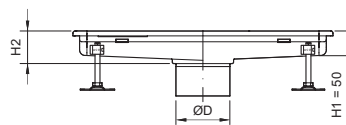
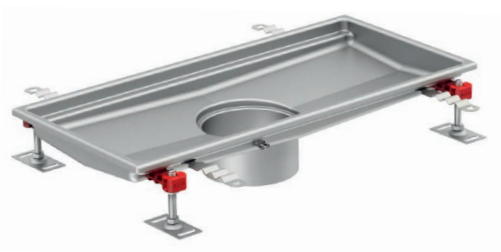
respect of project requirements or easily chosen from predefined fixed dimensions.

Product benefits

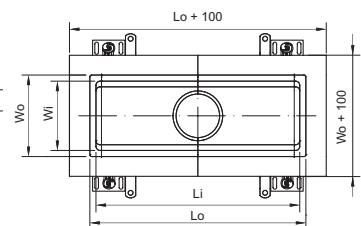
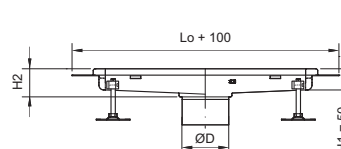
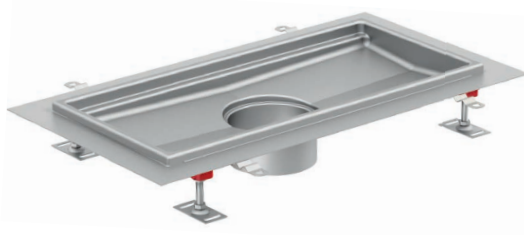
- Hygienic design following EN 1672, EN ISO 14159 and EHEDG document No. 8, 13 and 44
- Material thickness 1.5 mm
- Fully removable and easily cleanable stainless steel foul air trap (FAT)
- Rubber edge infill
- Fully pickled and passivated
- Minimal longitudinal slope 1%
- Min. sectional slope 5°
- Material thickness 1.5 mm
- Hygienic gratings with slip resistance available
- Protective cover available. See page 264 for more details
- Tested and certified according to EN 1253
- V-shape bottom for width < 300 mm
- Reinforced bottom for width > 400 mm
- Outlet without deformation
- Easy and secure telescopic connection with gully
- Adjustable EasyFix levelling feet 60-110 mm
- Anchors for fixing in concrete

Order information

Standard edge

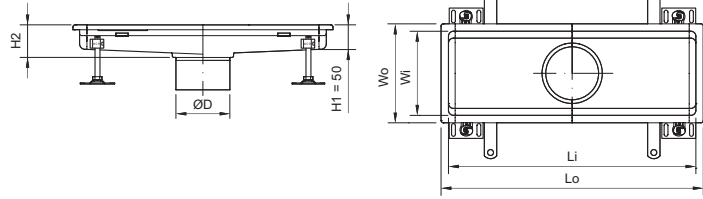


Extended edge

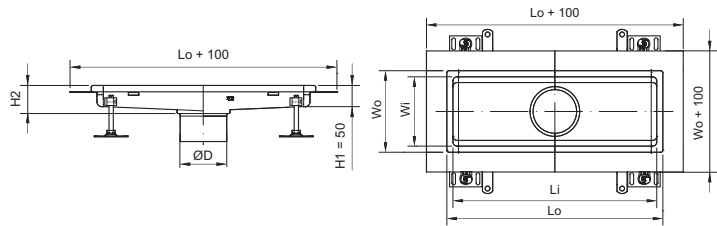


| Channel dimensions | | | | | | Gully | Material | Standard edge | Extended edge |
|--------------------|------------|------------|------------|------------|------------|------------------------------|----------|---------------|---------------|
| Wo [mm] | Wi [mm] | Lo [mm] | Li [mm] | H2 [mm] | øD [mm] | | | | |
| 200 | 170 | 530 | 500 | 60 | 125 | ACO hygienic gully 142 | 1.4301 | 416584 | 416680 |
| | | 530 | 500 | | | | 1.4404 | 416602 | 416698 |
| | | 830 | 800 | | | | 1.4301 | 416585 | 416681 |
| | | 830 | 800 | | | | 1.4404 | 416603 | 416699 |
| | | 1030 | 1000 | | | | 1.4301 | 416586 | 416682 |
| | | 1030 | 1000 | | | | 1.4404 | 416604 | 416700 |
| | | 1230 | 1200 | | | | 1.4301 | 416587 | 416683 |
| | | 1230 | 1200 | | | | 1.4404 | 416605 | 416701 |
| | | 1530 | 1500 | | | | 1.4301 | 416588 | 416684 |
| | | 1530 | 1500 | | | | 1.4404 | 416606 | 416702 |
| | | 2030 | 2000 | | | | 1.4301 | 416589 | 416685 |
| | | 2030 | 2000 | | | | 1.4404 | 416607 | 416703 |
| 200 | 170 | 530 | 500 | 60 | 142 | ACO hygienic gully 157 | 1.4301 | 416590 | 416686 |
| | | 530 | 500 | | | | 1.4404 | 416608 | 416704 |
| | | 830 | 800 | | | | 1.4301 | 416591 | 416687 |
| | | 830 | 800 | | | | 1.4404 | 416609 | 416705 |
| | | 1030 | 1000 | | | | 1.4301 | 416592 | 416688 |
| | | 1030 | 1000 | | | | 1.4404 | 416610 | 416706 |
| | | 1230 | 1200 | | | | 1.4301 | 416593 | 416689 |
| | | 1230 | 1200 | | | | 1.4404 | 416611 | 416707 |
| | | 1530 | 1500 | | | | 1.4301 | 416594 | 416690 |
| | | 1530 | 1500 | | | | 1.4404 | 416612 | 416708 |
| | | 2030 | 2000 | | | | 1.4301 | 416595 | 416691 |
| | | 2030 | 2000 | | | | 1.4404 | 416613 | 416709 |
| 300 | 270 | 330 | 300 | 55 | 142 | ACO hygienic gully 157 | 1.4301 | 416614 | 416710 |
| | | 330 | 300 | 1.4404 | | | 416628 | 416724 | |
| | | 630 | 600 | 60 | | | 1.4301 | 416615 | 416711 |
| | | 630 | 600 | 1.4404 | | | 416629 | 416725 | |
| | | 1030 | 1000 | 60 | | | 1.4301 | 416616 | 416712 |
| | | 1030 | 1000 | 1.4404 | | | 416630 | 416726 | |
| | | 1530 | 1500 | 60 | | | 1.4301 | 416617 | 416713 |
| | | 1530 | 1500 | 1.4404 | | | 416631 | 416727 | |
| | | 2030 | 2000 | 60 | | | 1.4301 | 416618 | 416714 |
| | | 2030 | 2000 | 1.4404 | | | 416632 | 416728 | |
| | | 3030 | 3000 | 70 | | | 1.4301 | 416619 | 416715 |
| | | 3030 | 3000 | 1.4404 | | | 416633 | 416729 | |
| 4030 | 4000 | 80 | 1.4301 | 416620 | 416716 | | | | |
| 4030 | 4000 | 1.4404 | 416634 | 416730 | | | | | |

Standard edge



Extended edge



| Channel dimensions | | | | | | Gully | Material | Standard edge | Extended edge |
|--------------------|------|------|------|--------|------|------------------------------|----------|---------------|---------------|
| Wo | Wi | Lo | Li | H2 | ØD | | | Item number | Item number |
| [mm] | [mm] | [mm] | [mm] | [mm] | [mm] | | | | |
| 300 | 270 | 330 | 300 | 55 | 200 | ACO hygienic gully 218 | 1.4301 | 416621 | 416717 |
| | | 330 | 300 | | | | 1.4404 | 416635 | 416731 |
| | | 630 | 600 | 60 | | | 1.4301 | 416622 | 416718 |
| | | 630 | 600 | | | | 1.4404 | 416636 | 416732 |
| | | 1030 | 1000 | 60 | | | 1.4301 | 416623 | 416719 |
| | | 1030 | 1000 | | | | 1.4404 | 416637 | 416733 |
| | | 1530 | 1500 | 60 | | | 1.4301 | 416624 | 416720 |
| | | 1530 | 1500 | | | | 1.4404 | 416638 | 416734 |
| | | 2030 | 2000 | 60 | | | 1.4301 | 416625 | 416721 |
| | | 2030 | 2000 | | | | 1.4404 | 416639 | 416735 |
| | | 3030 | 3000 | 70 | | | 1.4301 | 416626 | 416722 |
| | | 3030 | 3000 | | | | 1.4404 | 416640 | 416736 |
| | | 4030 | 4000 | 80 | | | 1.4301 | 416627 | 416723 |
| | | 4030 | 4000 | | | | 1.4404 | 416641 | 416737 |
| 400 | 370 | 430 | 400 | 60 | 142 | ACO hygienic gully 157 | 1.4301 | 416642 | 416738 |
| | | 430 | 400 | | | | 1.4404 | 416648 | 416744 |
| | | 630 | 600 | 1.4301 | | | 416643 | 416739 | |
| | | 630 | 600 | 1.4404 | | | 416649 | 416745 | |
| | | 830 | 800 | 1.4301 | | | 416644 | 416740 | |
| | | 830 | 800 | 1.4404 | | | 416650 | 416746 | |

| Channel dimensions | | | | | | Gully | Material | Standard edge | Extended edge |
|--------------------|------|------|------|------|------|------------------------------|----------|---------------|---------------|
| Wo | Wi | Lo | Li | H2 | øD | | | Item number | Item number |
| [mm] | [mm] | [mm] | [mm] | [mm] | [mm] | | | | |
| 400 | 370 | 430 | 400 | 60 | 200 | ACO hygienic gully 218 | 1.4301 | 416645 | 416741 |
| | | 430 | 400 | | | | 1.4404 | 416651 | 416747 |
| | | 630 | 600 | | | | 1.4301 | 416646 | 416742 |
| | | 630 | 600 | | | | 1.4404 | 416652 | 416748 |
| | | 830 | 800 | | | | 1.4301 | 416647 | 416743 |
| | | 830 | 800 | | | | 1.4404 | 416653 | 416749 |
| 500 | 470 | 530 | 500 | 65 | 142 | ACO hygienic gully 157 | 1.4301 | 416654 | 416750 |
| | | 530 | 500 | | | | 1.4404 | 416660 | 416756 |
| | | 830 | 800 | | | | 1.4301 | 416655 | 416751 |
| | | 830 | 800 | | | | 1.4404 | 416661 | 416757 |
| | | 1030 | 1000 | | | | 1.4301 | 416656 | 416752 |
| | | 1030 | 1000 | | | | 1.4404 | 416662 | 416758 |
| 500 | 470 | 530 | 500 | 65 | 200 | ACO hygienic gully 218 | 1.4301 | 416657 | 416753 |
| | | 530 | 500 | | | | 1.4404 | 416663 | 416759 |
| | | 830 | 800 | | | | 1.4301 | 416658 | 416754 |
| | | 830 | 800 | | | | 1.4404 | 416664 | 416760 |
| | | 1030 | 1000 | | | | 1.4301 | 416659 | 416755 |
| | | 1030 | 1000 | | | | 1.4404 | 416665 | 416761 |
| 600 | 570 | 630 | 600 | 70 | 200 | ACO hygienic gully 218 | 1.4301 | 416666 | 416762 |
| | | 630 | 600 | | | | 1.4404 | 416669 | 416765 |
| | | 930 | 900 | | | | 1.4301 | 416667 | 416763 |
| | | 930 | 900 | | | | 1.4404 | 416670 | 416766 |
| | | 1230 | 1200 | | | | 1.4301 | 416668 | 416764 |
| | | 1230 | 1200 | | | | 1.4404 | 416671 | 416767 |
| 800 | 770 | 830 | 800 | 80 | 200 | ACO hygienic gully 218 | 1.4301 | 416672 | 416768 |
| | | | | | | | 1.4404 | 416673 | 416769 |

ACO commercial channel standard articles

Product benefits

- Fully compliant to EN 1253
- Full drainability to ensure hygienic cleaning
- Fully pickle passivated to restore corrosion resistance and optimum durability
- Steel thickness min 1.5 mm
- Rubber edge infill to provide additional strength in dense traffic areas
- EasyFix® clips for quick, easy and precise height adjustment during installation
- Chamfered spigot outlets provide easy push-fit connection
- ACO protective cover available
- Silt basket collects debris effectively

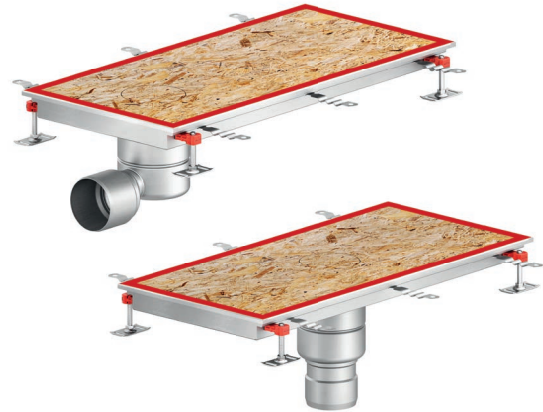


| Channel dimensions | | | | | | Material | Gully | Standard edge | Extended edge |
|--------------------|------|------|------|------|------|----------|---------------|---------------|---------------|
| Wo | Wi | Lo | Li | H1 | øD | | | Item number | Item number |
| [mm] | [mm] | [mm] | [mm] | [mm] | [mm] | | | | |
| 200 | 170 | 830 | 800 | 50 | 125 | 1.4301 | ACO gully 142 | 447032 | 447046 |
| | | 1030 | 1000 | 50 | 125 | 1.4301 | ACO gully 142 | 447033 | 447047 |
| | | 1530 | 1500 | 50 | 125 | 1.4301 | ACO gully 142 | 447034 | 447048 |
| | | 2030 | 2000 | 50 | 125 | 1.4301 | ACO gully 142 | 447035 | 447049 |
| 300 | 270 | 330 | 300 | 50 | 125 | 1.4301 | ACO gully 142 | 447036 | 447050 |
| | | 630 | 600 | 50 | 125 | 1.4301 | ACO gully 142 | 447037 | 447051 |
| | | 1030 | 1000 | 50 | 125 | 1.4301 | ACO gully 142 | 447038 | 447052 |
| | | 2030 | 2000 | 50 | 125 | 1.4301 | ACO gully 142 | 447039 | 447053 |
| | | 3030 | 3000 | 50 | 125 | 1.4301 | ACO gully 142 | 447040 | 447054 |
| 400 | 370 | 430 | 400 | 50 | 125 | 1.4301 | ACO gully 142 | 447041 | 447055 |
| | | 830 | 800 | 50 | 125 | 1.4301 | ACO gully 142 | 447042 | 447056 |
| 500 | 470 | 530 | 500 | 50 | 125 | 1.4301 | ACO gully 142 | 447043 | 447057 |
| | | 1030 | 1000 | 50 | 125 | 1.4301 | ACO gully 142 | 447044 | 447058 |
| 600 | 570 | 630 | 600 | 50 | 125 | 1.4301 | ACO gully 142 | 447045 | 447059 |

ACO commercial channel fixed height

Product benefits

- Fully compliant to EN 1253
- Full drainability to ensure hygienic cleaning
- Fully pickle passivated to restore corrosion resistance and optimum durability
- Steel thickness min 1.5 mm
- Rubber edge infill to provide additional strength in dense traffic areas
- EasyFix® clips for quick, easy and precise height adjustment during installation
- Chamfered spigot outlets provide easy push-fit connection
- ACO easy FAT and silt basket included
- ACO protective cover available



| Channel dimensions | | | | | | Outlet position | Horizontal outlet | Vertical outlet |
|--------------------|------|------|------|------|------|-----------------|-------------------|-----------------|
| Wo | Wi | Lo | Li | H1 | øD | | | |
| [mm] | [mm] | [mm] | [mm] | [mm] | [mm] | | | |
| 300 | 270 | 630 | 600 | 50 | 110 | Excentric | 449248_CF | 449257_CF |
| 300 | 270 | 1030 | 1000 | 50 | 110 | Excentric | 449249_CF | 449258_CF |
| 400 | 370 | 830 | 800 | 50 | 110 | Excentric | 449250_CF | 449259_CF |
| 500 | 470 | 1030 | 1000 | 50 | 110 | Excentric | 449251_CF | 449260_CF |
| 300 | 270 | 1030 | 1000 | 50 | 110 | Central | 449252_CF | 449261_CF |
| 400 | 370 | 430 | 400 | 50 | 110 | Central | 449253_CF | 449262_CF |
| 400 | 370 | 830 | 800 | 50 | 110 | Central | 449254_CF | 449263_CF |
| 500 | 470 | 530 | 500 | 50 | 110 | Central | 449255_CF | 449264_CF |
| 500 | 470 | 1030 | 1000 | 50 | 110 | Central | 449256_CF | 449265_CF |

ACO mesh grating

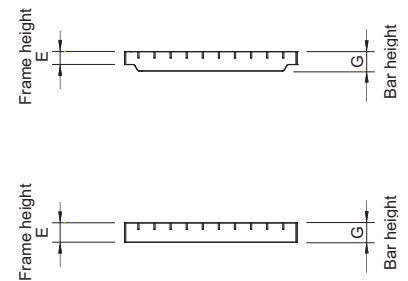
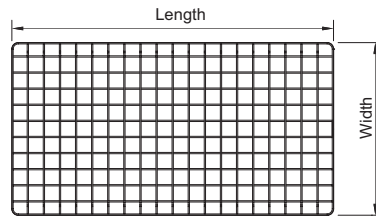
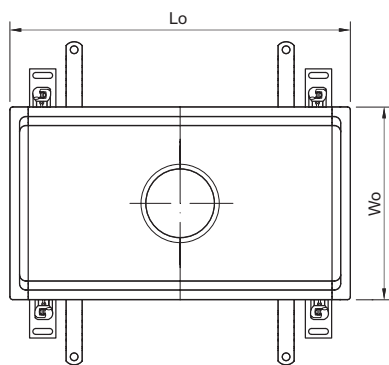
Product benefits

- ACO mesh grating with slip resistant finish
- Tested and certified according to EN 1253
- Range of gratings suitable to load class L 15 (EN 1253)
- Surface - electropolished
- High flow capacity of grates
- Rounded corners
- Slip resistant
 - Slip resistant low potential for slip according to BS 7976-2
 - R11 according to DIN 51130



Order information

Load class L 15



| Channel dimension | | Grating dimension | | | | Material | Item number | Quantity to fill channel |
|-------------------|---------|---------------------|-------------------|------------|-------------|----------|-------------|--------------------------|
| Wo [mm] | Lo [mm] | Frame height E [mm] | Bar height G [mm] | Width [mm] | Length [mm] | | | |
| 200 | 530 | 20 | 30 | 168 | 499 | 1.4301 | 416860 | 1 |
| | | | | | | 1.4404 | 416861 | |
| | 830 | 20 | 30 | 168 | 398 | 1.4301 | 416862 | 2 |
| | | | | | | 1.4404 | 416863 | |
| | 1030 | 20 | 30 | 168 | 999 | 1.4301 | 413153 | 1 |
| | | | | | | 1.4404 | 445957 | |
| | 1030 | 20 | 30 | 168 | 499 | 1.4301 | 416860 | 2 |
| | | | | | | 1.4404 | 416861 | |
| | 1230 | 20 | 30 | 168 | 398 | 1.4301 | 416862 | 3 |
| | | | | | | 1.4404 | 416863 | |
| | 1530 | 20 | 30 | 168 | 499 | 1.4301 | 416860 | 3 |
| | | | | | | 1.4404 | 416861 | |
| | 2030 | 20 | 30 | 168 | 999 | 1.4301 | 413153 | 2 |
| | | | | | | 1.4404 | 445957 | |
| | 2030 | 20 | 30 | 168 | 499 | 1.4301 | 416860 | 4 |
| | | | | | | 1.4404 | 416861 | |

| Channel dimension | | Grating dimension | | | | Material | Item number | Quantity to fill channel | |
|-------------------|---------|---------------------|-------------------|------------|-------------|----------|-------------|--------------------------|---|
| Wo [mm] | Lo [mm] | Frame height E [mm] | Bar height G [mm] | Width [mm] | Length [mm] | | | | |
| 300 | 330 | 20 | 30 | 268 | 298 | 1.4301 | 416864 | 1 | |
| | | | | | | 1.4404 | 416865 | | |
| | 630 | 20 | 30 | 268 | 298 | 298 | 1.4301 | 416864 | 2 |
| | | | | | | | 1.4404 | 416865 | |
| | 1030 | 20 | 30 | 268 | 268 | 999 | 1.4301 | 413154 | 1 |
| | | | | | | | 1.4404 | 445959 | |
| | 1030 | 20 | 30 | 268 | 268 | 499 | 1.4301 | 416866 | 2 |
| | | | | | | | 1.4404 | 416867 | |
| | 1530 | 20 | 30 | 268 | 268 | 499 | 1.4301 | 416866 | 3 |
| | | | | | | | 1.4404 | 416867 | |
| | 2030 | 20 | 30 | 268 | 268 | 999 | 1.4301 | 413154 | 2 |
| | | | | | | | 1.4404 | 445959 | |
| | 2030 | 20 | 30 | 268 | 268 | 499 | 1.4301 | 416866 | 4 |
| | | | | | | | 1.4404 | 416867 | |
| | 3030 | 20 | 30 | 268 | 268 | 999 | 1.4301 | 413154 | 3 |
| | | | | | | | 1.4404 | 445959 | |
| 3030 | 20 | 30 | 268 | 268 | 499 | 1.4301 | 416866 | 6 | |
| | | | | | | 1.4404 | 416867 | | |
| 4030 | 20 | 30 | 268 | 268 | 999 | 1.4301 | 413154 | 4 | |
| | | | | | | 1.4404 | 445959 | | |
| 4030 | 20 | 30 | 268 | 268 | 499 | 1.4301 | 416866 | 8 | |
| | | | | | | 1.4404 | 416867 | | |
| 400 | 430 | 30 | 30 | 368 | 398 | 1.4301 | 416868 | 1 | |
| | | | | | | 1.4404 | 416869 | | |
| | 630 | 30 | 30 | 368 | 368 | 598 | 1.4301 | 416870 | 1 |
| | | | | | | | 1.4404 | 416871 | |
| 830 | 30 | 30 | 368 | 368 | 398 | 1.4301 | 416868 | 2 | |
| | | | | | | 1.4404 | 416869 | | |
| 500 | 530 | 30 | 30 | 468 | 499 | 1.4301 | 416872 | 1 | |
| | | | | | | 1.4404 | 416873 | | |
| | 830 | 30 | 30 | 468 | 468 | 398 | 1.4301 | 416874 | 2 |
| | | | | | | | 1.4404 | 416875 | |
| 1030 | 30 | 30 | 468 | 468 | 499 | 1.4301 | 416872 | 2 | |
| | | | | | | 1.4404 | 416873 | | |
| 600 | 630 | 30 | 30 | 568 | 298 | 1.4301 | 416876 | 2 | |
| | | | | | | 1.4404 | 416877 | | |
| | 930 | 30 | 30 | 568 | 568 | 298 | 1.4301 | 416876 | 3 |
| | | | | | | | 1.4404 | 416877 | |
| 1230 | 30 | 30 | 568 | 568 | 298 | 1.4301 | 416876 | 4 | |
| | | | | | | 1.4404 | 416877 | | |
| 800 | 830 | 30 | 30 | 768 | 398 | 1.4301 | 416878 | 2 | |
| | | | | | | 1.4404 | 416879 | | |

ACO hygienic ladder grating

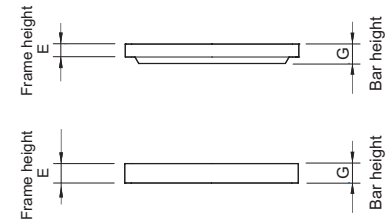
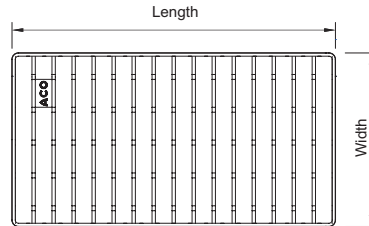
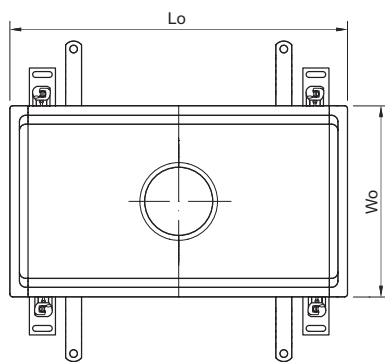
Product benefits

- Hygienic design following EN 1672, EN ISO 14159 and EHEDG document No. 8, 13 and 44
- Fully pickled and passivated
- Electropolished surface
- Registered logo design allows for easy manipulation during cleaning
- Range of gratings suitable for load classes R 50, M 125 and N 250 (EN 1253)
- Tested and certified according to NSF International
- High flow capacity
- Rounded corners
- Slip resistant
 - Low potential for slip according to BS 7976-2
 - R11 according to DIN 51130



Order information

Load class R 50



| Channel dimension | | Grating dimension | | | | Material | Item number | Quantity to fill channel |
|-------------------|------|-------------------|------------|-------|--------|----------|-------------|--------------------------|
| Wo | Lo | Frame height | Bar height | Width | Length | | | |
| [mm] | [mm] | E [mm] | G [mm] | [mm] | [mm] | | | |
| 200 | 530 | 20 | 20 | 168 | 499 | 1.4301 | 416802 | 1 |
| | | | | | | 1.4404 | 416803 | |
| | 830 | 20 | 20 | 168 | 398 | 1.4301 | 416808 | 2 |
| | | | | | | 1.4404 | 416809 | |
| | 1030 | 20 | 20 | 168 | 999 | 1.4301 | 445948 | 1 |
| | | | | | | 1.4404 | 445949 | |
| | 1030 | 20 | 20 | 168 | 499 | 1.4301 | 416802 | 2 |
| | | | | | | 1.4404 | 416803 | |
| | 1230 | 20 | 20 | 168 | 398 | 1.4301 | 416808 | 3 |
| | | | | | | 1.4404 | 416809 | |
| | 1530 | 20 | 20 | 168 | 499 | 1.4301 | 416802 | 3 |
| | | | | | | 1.4404 | 416803 | |

| Channel dimension | | Grating dimension | | | | Material | Item number | Quantity to fill channel |
|-------------------|------|-------------------|------------|-------|--------|----------|-------------|--------------------------|
| Wo | Lo | Frame height | Bar height | Width | Length | | | |
| [mm] | [mm] | E [mm] | G [mm] | [mm] | [mm] | | | |
| 200 | 2030 | 20 | 20 | 168 | 999 | 1.4301 | 445948 | 2 |
| | | | | | | 1.4404 | 445949 | |
| | 2030 | 20 | 20 | 168 | 499 | 1.4301 | 416802 | 4 |
| | | | | | | 1.4404 | 416803 | |
| 300 | 330 | 20 | 20 | 268 | 298 | 1.4301 | 416812 | 1 |
| | | | | | | 1.4404 | 416813 | |
| | 630 | 20 | 20 | 268 | 298 | 1.4301 | 416812 | 2 |
| | | | | | | 1.4404 | 416813 | |
| | 1030 | 20 | 20 | 268 | 999 | 1.4301 | 445952 | 1 |
| | | | | | | 1.4404 | 445953 | |
| | 1030 | 20 | 20 | 268 | 499 | 1.4301 | 416814 | 2 |
| | | | | | | 1.4404 | 416815 | |
| | 1530 | 20 | 20 | 268 | 499 | 1.4301 | 416814 | 3 |
| | | | | | | 1.4404 | 416815 | |
| | 2030 | 20 | 20 | 268 | 999 | 1.4301 | 445952 | 2 |
| | | | | | | 1.4404 | 445953 | |
| | 2030 | 20 | 20 | 268 | 499 | 1.4301 | 416814 | 4 |
| | | | | | | 1.4404 | 416815 | |
| | 3030 | 20 | 20 | 268 | 999 | 1.4301 | 445952 | 3 |
| | | | | | | 1.4404 | 445953 | |
| 3030 | 20 | 20 | 268 | 499 | 1.4301 | 416814 | 6 | |
| | | | | | 1.4404 | 416815 | | |
| 4030 | 20 | 20 | 268 | 999 | 1.4301 | 445952 | 4 | |
| | | | | | 1.4404 | 445953 | | |
| 4030 | 20 | 20 | 268 | 499 | 1.4301 | 416814 | 8 | |
| | | | | | 1.4404 | 416815 | | |
| 400 | 430 | 30 | 30 | 368 | 398 | 1.4301 | 416820 | 1 |
| | | | | | | 1.4404 | 416821 | |
| | 630 | 30 | 30 | 368 | 598 | 1.4301 | 416822 | 1 |
| | | | | | | 1.4404 | 416823 | |
| 830 | 30 | 30 | 368 | 398 | 1.4301 | 416820 | 2 | |
| | | | | | 1.4404 | 416821 | | |
| 500 | 530 | 30 | 30 | 468 | 499 | 1.4301 | 416828 | 1 |
| | | | | | | 1.4404 | 416829 | |
| | 830 | 30 | 30 | 468 | 398 | 1.4301 | 416830 | 2 |
| | | | | | | 1.4404 | 416831 | |
| 1030 | 30 | 30 | 468 | 499 | 1.4301 | 416828 | 2 | |
| | | | | | 1.4404 | 416829 | | |

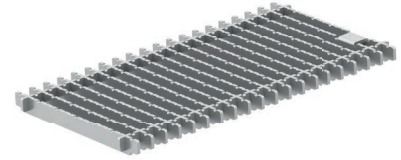
| Channel dimension | | Grating dimension | | | | Material | Item number | Quantity to fill channel | |
|------------------------|------|-------------------|------------|-------|--------|----------|-------------|--------------------------|---|
| Wo | Lo | Frame height | Bar height | Width | Length | | | | |
| [mm] | [mm] | E [mm] | G [mm] | [mm] | [mm] | | | | |
| Load class R 50 | | | | | | | | | |
| 600 | 630 | 30 | 30 | 568 | 298 | 1.4301 | 416838 | 2 | |
| | | | | | | 1.4404 | 416839 | | |
| | 930 | 30 | 30 | 568 | 298 | 1.4301 | 416838 | 3 | |
| | | | | | | 1.4404 | 416839 | | |
| | 1230 | 30 | 30 | 568 | 298 | 1.4301 | 416838 | 4 | |
| | | | | | | 1.4404 | 416839 | | |
| 800 | 830 | 30 | 30 | 768 | 398 | 1.4301 | 416842 | 2 | |
| | | | | | | 1.4404 | 416843 | | |
| Load class M125 | | | | | | | | | |
| 200 | 530 | 20 | 30 | 168 | 499 | 1.4301 | 416804 | 1 | |
| | | | | | | 1.4404 | 416805 | | |
| | 830 | 20 | 30 | 168 | 398 | 1.4301 | 416810 | 2 | |
| | | | | | | 1.4404 | 416811 | | |
| | 1030 | 20 | 20 | 168 | 999 | 1.4301 | 445950 | 1 | |
| | | | | | | 1.4404 | 445951 | | |
| | 1030 | 20 | 30 | 168 | 499 | 1.4301 | 416804 | 2 | |
| | | | | | | 1.4404 | 416805 | | |
| | 1230 | 20 | 30 | 168 | 398 | 1.4301 | 416810 | 3 | |
| | | | | | | 1.4404 | 416811 | | |
| | 1530 | 20 | 30 | 168 | 499 | 1.4301 | 416804 | 3 | |
| | | | | | | 1.4404 | 416805 | | |
| | 2030 | 20 | 20 | 168 | 999 | 1.4301 | 445950 | 2 | |
| | | | | | | 1.4404 | 445951 | | |
| | 2030 | 20 | 30 | 168 | 499 | 1.4301 | 416804 | 4 | |
| | | | | | | 1.4404 | 416805 | | |
| | 300 | 330 | 20 | 30 | 268 | 298 | 1.4301 | 416816 | 1 |
| | | | | | | | 1.4404 | 416817 | |
| | | 630 | 20 | 30 | 268 | 298 | 1.4301 | 416816 | 2 |
| | | | | | | | 1.4404 | 416817 | |
| 1030 | | 20 | 30 | 268 | 499 | 1.4301 | 416818 | 2 | |
| | | | | | | 1.4404 | 416819 | | |
| 1030 | | 20 | 20 | 268 | 999 | 1.4301 | 445954 | 1 | |
| | | | | | | 1.4404 | 445955 | | |
| 1530 | | 20 | 30 | 268 | 499 | 1.4301 | 416818 | 3 | |
| | | | | | | 1.4404 | 416819 | | |
| 2030 | | 20 | 20 | 268 | 999 | 1.4301 | 445954 | 2 | |
| | | | | | | 1.4404 | 445955 | | |

| Channel dimension | | Grating dimension | | | | Material | Item number | Quantity to fill channel | |
|-------------------|------|-------------------|------------|-------|--------|----------|-------------|--------------------------|---|
| Wo | Lo | Frame height | Bar height | Width | Length | | | | |
| [mm] | [mm] | E [mm] | G [mm] | [mm] | [mm] | | | | |
| 300 | 2030 | 20 | 30 | 268 | 499 | 1.4301 | 416818 | 4 | |
| | | | | | | 1.4404 | 416819 | | |
| | 3030 | 20 | 30 | 268 | 999 | 1.4301 | 445954 | 3 | |
| | | | | | | 1.4404 | 445955 | | |
| | 3030 | 20 | 30 | 268 | 499 | 1.4301 | 416818 | 6 | |
| | | | | | | 1.4404 | 416819 | | |
| | 4030 | 20 | 20 | 268 | 999 | 1.4301 | 445954 | 4 | |
| | | | | | | 1.4404 | 445955 | | |
| | 4030 | 20 | 30 | 268 | 499 | 1.4301 | 416818 | 8 | |
| | | | | | | 1.4404 | 416819 | | |
| | 400 | 430 | 30 | 30 | 368 | 398 | 1.4301 | 416824 | 1 |
| | | | | | | | 1.4404 | 416825 | |
| 630 | | 30 | 30 | 368 | 598 | 1.4301 | 416826 | 1 | |
| | | | | | | 1.4404 | 416827 | | |
| 830 | 30 | 30 | 368 | 398 | 1.4301 | 416824 | 2 | | |
| | | | | | 1.4404 | 416825 | | | |
| 500 | 530 | 30 | 30 | 468 | 499 | 1.4301 | 416832 | 1 | |
| | | | | | | 1.4404 | 416833 | | |
| | 830 | 30 | 30 | 468 | 398 | 1.4301 | 416834 | 2 | |
| | | | | | | 1.4404 | 416835 | | |
| 1030 | 30 | 30 | 468 | 499 | 1.4301 | 416832 | 2 | | |
| | | | | | 1.4404 | 416833 | | | |

ACO frameless ladder grating

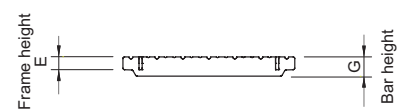
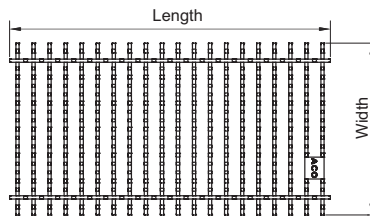
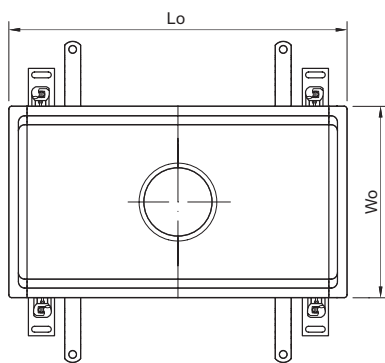
Product benefits

- Hygienic design following EN 1672, EN ISO 14159 and EHEDG document No. 8, 13 and 44
- Fully pickled and passivated
- Electropolished surface
- Registered logo design allows for easy manipulation during cleaning
- Range of gratings suitable for load class M 125 (EN 1253)
- High flow capacity
- Rounded corners
- Slip resistant
 - Low potential for slip according to BS 7976-2
 - R11 according to DIN 51130



Order information

Load class R 50



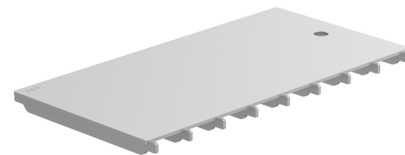
| Channel dimension | | Grating dimension | | | | Material | Item number | Quantity to fill channel |
|-------------------|------|-------------------|------------|-------|--------|----------|-------------|--------------------------|
| Wo | Lo | Frame height | Bar height | Width | Length | | | |
| [mm] | [mm] | E [mm] | G [mm] | [mm] | [mm] | | | |
| 200 | 530 | 20 | 20 | 168 | 499 | 1.4301 | 446246 | 1 |
| | | | | | | 1.4404 | 446247 | |
| | 830 | 20 | 20 | 168 | 399 | 1.4301 | 446250 | 2 |
| | | | | | | 1.4404 | 446251 | |
| | 1030 | 20 | 20 | 168 | 499 | 1.4301 | 446246 | 2 |
| | | | | | | 1.4404 | 446247 | |
| | 1230 | 20 | 20 | 168 | 399 | 1.4301 | 446250 | 3 |
| | | | | | | 1.4404 | 446251 | |
| | 1530 | 20 | 20 | 168 | 499 | 1.4301 | 446246 | 3 |
| | | | | | | 1.4404 | 446247 | |
| | 2030 | 20 | 20 | 168 | 499 | 1.4301 | 446246 | 4 |
| | | | | | | 1.4404 | 446247 | |

| Channel dimension | | Grating dimension | | | | Material | Item number | Quantity to fill channel |
|-------------------|------|-------------------|------------|-------|--------|----------|-------------|--------------------------|
| Wo | Lo | Frame height | Bar height | Width | Length | | | |
| [mm] | [mm] | E [mm] | G [mm] | [mm] | [mm] | | | |
| 300 | 330 | 20 | 20 | 268 | 299 | 1.4301 | 446258 | 1 |
| | | | | | | 1.4404 | 446259 | |
| | 630 | 20 | 20 | 268 | 299 | 1.4301 | 446258 | 2 |
| | | | | | | 1.4404 | 446259 | |
| | 1030 | 20 | 20 | 268 | 499 | 1.4301 | 446254 | 2 |
| | | | | | | 1.4404 | 446255 | |
| | 1530 | 20 | 20 | 268 | 499 | 1.4301 | 446254 | 3 |
| | | | | | | 1.4404 | 446255 | |
| | 2030 | 20 | 20 | 268 | 499 | 1.4301 | 446254 | 4 |
| | | | | | | 1.4404 | 446255 | |
| | 3030 | 20 | 20 | 268 | 499 | 1.4301 | 446254 | 6 |
| | | | | | | 1.4404 | 446255 | |
| | 4030 | 20 | 20 | 268 | 499 | 1.4301 | 446254 | 8 |
| | | | | | | 1.4404 | 446255 | |

ACO hygienic slot cover

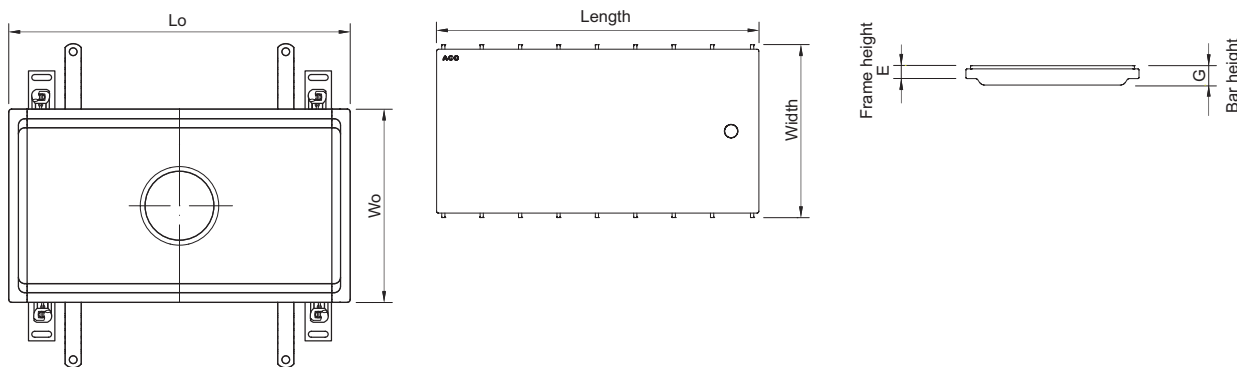
Product benefits

- Hygienic design following EN 1672, EN ISO 14159 and EHEDG document No. 8, 13 and 44
- Fully pickled and passivated
- Sandblasted surface
- Range of gratings suitable for load classes R 50, M 125 and N 250 (EN 1253)
- Rounded corners
- Slip resistant
 - Low potential for slip according to BS 7976-2
 - R11 according to DIN 51130



Order information

Load class R 50



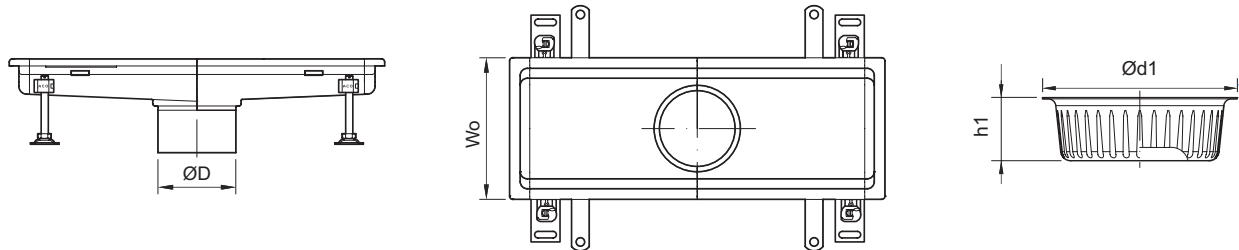
| Channel dimension | | Grating dimension | | | | Material | Item number | Quantity to fill channel |
|-------------------|---------|---------------------|-------------------|------------|-------------|----------|-------------|--------------------------|
| Wo [mm] | Lo [mm] | Frame height E [mm] | Bar height G [mm] | Width [mm] | Length [mm] | | | |
| 200 | 530 | 20 | 30 | 168 | 499 | 1.4301 | 445756 | 1 |
| | | | | | | 1.4404 | 445757 | |
| | 830 | 20 | 30 | 168 | 398 | 1.4301 | 445762 | 2 |
| | | | | | | 1.4404 | 445763 | |
| | 1030 | 20 | 30 | 168 | 499 | 1.4301 | 445756 | 2 |
| | | | | | | 1.4404 | 445757 | |
| | 1230 | 20 | 30 | 168 | 398 | 1.4301 | 445762 | 3 |
| | | | | | | 1.4404 | 445763 | |
| | 1530 | 20 | 30 | 168 | 499 | 1.4301 | 445756 | 3 |
| | | | | | | 1.4404 | 445757 | |
| | 2030 | 20 | 30 | 168 | 499 | 1.4301 | 445756 | 4 |
| | | | | | | 1.4404 | 445757 | |

| Channel dimension | Grating dimension | | Material | Item number | Quantity to fill channel | | | |
|-------------------------|-------------------|---------|----------|-------------|--------------------------|---------------------|-------------------|------------|
| | Wo [mm] | Lo [mm] | | | | Frame height E [mm] | Bar height G [mm] | Width [mm] |
| 300 | 330 | 20 | 30 | 268 | 298 | 1.4301 | 445774 | 1 |
| | | | | | | 1.4404 | 445775 | |
| | 630 | 20 | 30 | 268 | 298 | 1.4301 | 445774 | 2 |
| | | | | | | 1.4404 | 445775 | |
| | 1030 | 20 | 30 | 268 | 499 | 1.4301 | 445768 | 2 |
| | | | | | | 1.4404 | 445769 | |
| | 1530 | 20 | 30 | 268 | 499 | 1.4301 | 445768 | 3 |
| | | | | | | 1.4404 | 445769 | |
| | 2030 | 20 | 30 | 268 | 499 | 1.4301 | 445768 | 4 |
| | | | | | | 1.4404 | 445769 | |
| | 3030 | 20 | 30 | 268 | 499 | 1.4301 | 445768 | 6 |
| | | | | | | 1.4404 | 445769 | |
| Load class M 125 | | | | | | | | |
| 200 | 530 | 20 | 30 | 168 | 499 | 1.4301 | 445758 | 1 |
| | | | | | | 1.4404 | 445759 | |
| | 830 | 20 | 30 | 168 | 398 | 1.4301 | 445764 | 2 |
| | | | | | | 1.4404 | 445765 | |
| | 1030 | 20 | 30 | 168 | 499 | 1.4301 | 445758 | 2 |
| | | | | | | 1.4404 | 445759 | |
| | 1230 | 20 | 30 | 168 | 398 | 1.4301 | 445764 | 3 |
| | | | | | | 1.4404 | 445765 | |
| | 1530 | 20 | 30 | 168 | 499 | 1.4301 | 445758 | 3 |
| | | | | | | 1.4404 | 445759 | |
| | 2030 | 20 | 30 | 168 | 499 | 1.4301 | 445758 | 4 |
| | | | | | | 1.4404 | 445759 | |
| 300 | 330 | 20 | 30 | 268 | 298 | 1.4301 | 445776 | 1 |
| | | | | | | 1.4404 | 445777 | |
| | 630 | 20 | 30 | 268 | 298 | 1.4301 | 445776 | 2 |
| | | | | | | 1.4404 | 445777 | |
| | 1030 | 20 | 30 | 268 | 499 | 1.4301 | 445770 | 2 |
| | | | | | | 1.4404 | 445771 | |
| | 1530 | 20 | 30 | 268 | 499 | 1.4301 | 445770 | 3 |
| | | | | | | 1.4404 | 445771 | |
| | 2030 | 20 | 30 | 268 | 499 | 1.4301 | 445770 | 4 |
| | | | | | | 1.4404 | 445771 | |
| | 3030 | 20 | 30 | 268 | 499 | 1.4301 | 445770 | 6 |
| | | | | | | 1.4404 | 445771 | |

Accessories for ACO box channels

Order information

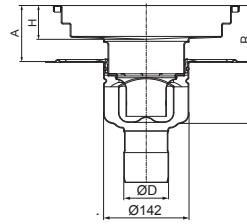
Silt baskets for ACO hygienic box channel



| Channel dimension | Outlet | Direction of gully outlet | Silt basket dimension | | Capacity | Material | Item number | | | | |
|---------------------------------|--|---------------------------|------------------------|------------|----------|----------|-------------|----|-----|--------|--------|
| Width W_0 [mm] | $\varnothing D$ [mm] | | $\varnothing d_1$ [mm] | h_1 [mm] | [l] | | | | | | |
| 200, 300, 400, 500, 600, 800 | 125 | vertical, horizontal | 142 | 45 | 0.4 | 1.4301 | 416900 | | | | |
| | | | | | | 1.4404 | 416901 | | | | |
| 200 | 142 | vertical | 142 | 45 | 0.4 | 1.4301 | 416900 | | | | |
| | | | | | | 1.4404 | 416901 | | | | |
| | | horizontal | 142 | 25 | 0.3 | 1.4301 | 416902 | | | | |
| | | | | | | 1.4404 | 416903 | | | | |
| 300, 400, 500, 600, 800 | 142 or welded with ACO hygienic gully 157 | vertical | 159 | 50 | 0.6 | 1.4301 | 416904 | | | | |
| | | | | | | 1.4404 | 416905 | | | | |
| | | horizontal | 159 | 26 | 0.3 | 1.4301 | 416906 | | | | |
| | | | | | | 1.4404 | 416907 | | | | |
| | | | | | | vertical | 222 | 50 | 1.4 | 1.4301 | 416908 |
| | | | | | | | | | | 1.4404 | 416909 |
| horizontal | 222 | 26 | 0.7 | 1.4301 | 416910 | | | | | | |
| | | | | 1.4404 | 416911 | | | | | | |

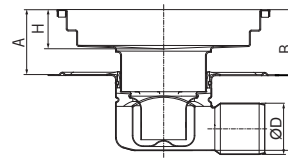
Flow rates and construction heights

ACO channel – ACO hygienic gully 142, vertical



| Outlet diameter | Outlet position | Flow rate [l/s] | |
|-----------------|-----------------|-----------------|--------------|
| | | H = 60 mm | |
| ØD | Vertical | A min. = 85 | A max. = 115 |
| | | B min. = 194 | B max. = 224 |
| 75 | Vertical | 1.4 | 1.7 |
| 110 | | 1.6 | 1.9 |

ACO channel – ACO hygienic gully 142, horizontal



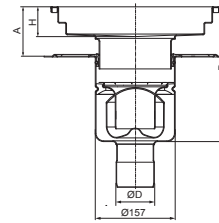
| Outlet diameter | Outlet position | Flow rate [l/s] | |
|-----------------|-----------------|-----------------|--------------|
| | | H = 60 mm | |
| ØD | Horizontal | A min. = 75 | A max. = 115 |
| | | B min. = 185 | B max. = 245 |
| 75 | Horizontal | 1.4 | 1.7 |
| 110 | | 1.6 | 1.9 |

Notes:

A min. and B min. values can be reduced by 15 mm if earth screw is removed and channel outlet spigot shortened. Please be aware that channel outlet pipe shortening affects the A max. and B max. values.

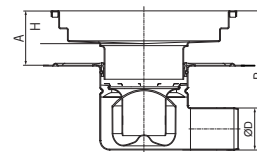
Flow rates measured according to EN 1253. Flow rate performance without silt basket (flow rates with empty silt basket are approximately 15% lower than the values stated)

ACO channel – ACO hygienic gully 157, vertical



| Outlet diameter | Outlet position | Flow rate [l/s] | |
|-----------------|-----------------|-----------------|--------------|
| | | H = 60 mm | |
| ØD | Vertical | A min. = 85 | A max. = 115 |
| | | B min. = 232 | B max. = 262 |
| 75 | | 2.9 | 3.1 |
| 110 | | 3.9 | 4.2 |

ACO channel – ACO hygienic gully 157, horizontal



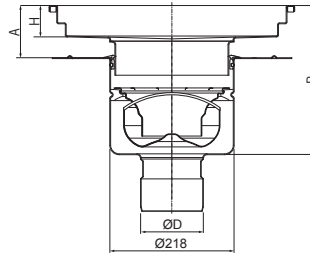
| Outlet diameter | Outlet position | Flow rate [l/s] | |
|-----------------|-----------------|-----------------|--------------|
| | | H = 60 mm | |
| ØD | Horizontal | A min. = 75 | A max. = 115 |
| | | B min. = 242 | B max. = 285 |
| 75 | | 2.8 | 3.1 |
| 110 | | 3.2 | 3.9 |

Notes:

A min. and B min. values can be reduced by 15 mm if earth screw is removed and channel outlet spigot shortened. Please be aware that channel outlet pipe shortening affects the A max. and B max. values.

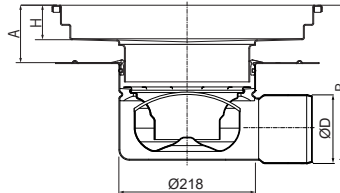
Flow rates measured according to EN 1253. Flow rate performance without silt basket (flow rates with empty silt basket are approximately 15% lower than the values stated)

ACO channel – ACO hygienic gully 218, vertical



| Outlet diameter | Outlet position | Flow rate [l/s] | | | | | | | | | |
|-----------------|-----------------|-----------------|--------|-----------|--------|------------|--------|------------|--------|------------|--------|
| | | H = 60 mm | | H = 80 mm | | H = 100 mm | | H = 150 mm | | H = 200 mm | |
| | | A min. | A max. | A min. | A max. | A min. | A max. | A min. | A max. | A min. | A max. |
| | | = 75 | = 115 | = 95 | = 135 | = 115 | = 155 | = 165 | = 205 | = 215 | = 255 |
| | | [mm] | [mm] | [mm] | [mm] | [mm] | [mm] | [mm] | [mm] | [mm] | [mm] |
| | | B min. | B max. | B min. | B max. | B min. | B max. | B min. | B max. | B min. | B max. |
| | | = 245 | = 285 | = 265 | = 305 | = 285 | = 325 | = 335 | = 375 | = 385 | = 425 |
| | | [mm] | [mm] | [mm] | [mm] | [mm] | [mm] | [mm] | [mm] | [mm] | [mm] |
| ØD | | | | | | | | | | | |
| 110 | Vertical | 5.4 | 5.6 | 5.6 | 5.8 | 5.7 | 6.0 | 5.9 | 6.4 | 6.4 | 6.4 |
| 160 | Vertical | 5.4 | 5.6 | 5.6 | 5.8 | 5.7 | 6.0 | 5.9 | 6.4 | 6.4 | 6.4 |

ACO channel – ACO hygienic gully 218, horizontal



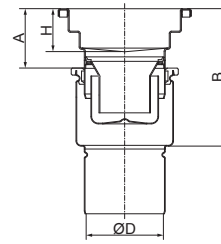
| Outlet diameter | Outlet position | Flow rate [l/s] | | | | | | | | | |
|-----------------|-----------------|-----------------|--------|-----------|--------|------------|--------|------------|--------|------------|--------|
| | | H = 60 mm | | H = 80 mm | | H = 100 mm | | H = 150 mm | | H = 200 mm | |
| | | A min. | A max. | A min. | A max. | A min. | A max. | A min. | A max. | A min. | A max. |
| | | = 85 | = 115 | = 105 | = 135 | = 125 | = 155 | = 175 | = 205 | = 225 | = 255 |
| | | [mm] | [mm] | [mm] | [mm] | [mm] | [mm] | [mm] | [mm] | [mm] | [mm] |
| | | B min. | B max. | B min. | B max. | B min. | B max. | B min. | B max. | B min. | B max. |
| | | = 235 | = 265 | = 255 | = 285 | = 275 | = 305 | = 325 | = 355 | = 375 | = 405 |
| | | [mm] | [mm] | [mm] | [mm] | [mm] | [mm] | [mm] | [mm] | [mm] | [mm] |
| ØD | | | | | | | | | | | |
| 110 | Horizontal | 4.5 | 4.7 | 4.8 | 4.9 | 4.9 | 5.1 | 5.0 | 5.6 | 5.6 | 6.4 |

Notes:

A min. and B min. values can be reduced by 15 mm if earth screw is removed and channel outlet spigot shortened. Please be aware that channel outlet pipe shortening affects the A max. and B max. values.

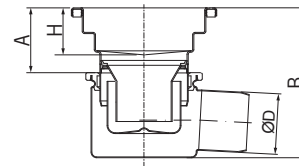
Flow rates measured according to EN 1253. Flow rate performance without silt basket (flow rates with empty silt basket are approximately 15% lower than the values stated)

ACO channel – ACO gully EG150, vertical



| Outlet diameter | Outlet position | Flow rate [l/s] | |
|-----------------|-----------------|-----------------|--------------|
| | | H = 60 mm | |
| ØD | Vertical | A min. = 60 | A max. = 85 |
| | | B min. = 165 | B max. = 190 |
| 75 | Vertical | 1.3 | 1.5 |
| 110 | | 1.3 | 1.5 |

ACO channel – ACO gully EG150, horizontal



| Outlet diameter | Outlet position | Flow rate [l/s] | |
|-----------------|-----------------|-----------------|--------------|
| | | H = 60 mm | |
| ØD | Horizontal | A min. = 60 | A max. = 85 |
| | | B min. = 165 | B max. = 190 |
| 75 | Horizontal | 1.3 | 1.5 |

Notes:

A min. and B min. values can be reduced by 15 mm if earth screw is removed and channel outlet spigot shortened. Please be aware that channel outlet pipe shortening affects the A max. and B max. values.

Flow rates measured according to EN 1253. Flow rate performance without silt basket (flow rates with empty silt basket are approximately 15% lower than the values stated)



3 ACO Pipe

Introduction

ACO pipe is the ideal system for gray and black water, rainwater and industrial waste water drainage applications.

When used with ACO gully and ACO channel systems, ACO pipe provides a unique, complex building drainage solution.

ACO pipe and fittings are available in 40 mm, 50 mm, 75 mm, 110 mm, 125 mm, 160 mm, 200 mm, 250 mm and 315 mm external diameters with the standard lengths from 0.15 meter up to 6 meter for optimum practicality and ease of assembly.

ACO pipe
Online information



Every ACO product supports
the ACO system chain



-
- Floor drainage
 - Bathroom drainage
 - Parking deck drainage
 - Roof drainage
 - Balcony and terrace drainage
 - Pipe systems
 - Wall protection
 - Grease separators
 - Starch separators
 - Light oil separators
 - Process technology
 - Backflow systems
 - Lifting stations
 - Pumping stations
-



ACO Industries k.s.

Havlíčková 260
582 22 Přebyslav
Czech Republic

www.buildingdrainage.aco

ACO. we care for water

